

# Nantucket

Model # 4829

## Nantucket 2ft Window Box



### DESCRIPTION

The Mayne Nantucket Window Box Collection features a bowed front, raised panel design, pronounced crown molding detail and built-in overflow drains.

- Made from 100% high-grade polyethylene
- Features a double wall design creating a water reservoir
- Includes 2 wall mount brackets with a black powder coated finish
- Warranty: 15-Yr Residential Use / 5-Yr Commercial Use

### PRODUCT DIMENSIONS

**Outside Dimensions:** 24in L x 11.7in W x 10.2in H (61cm x 29.6cm x 25.8cm)

**Inside Dimensions:** 20in L x 8.2in W x 7.6in D (50.7cm x 20.9cm x 19.4cm)

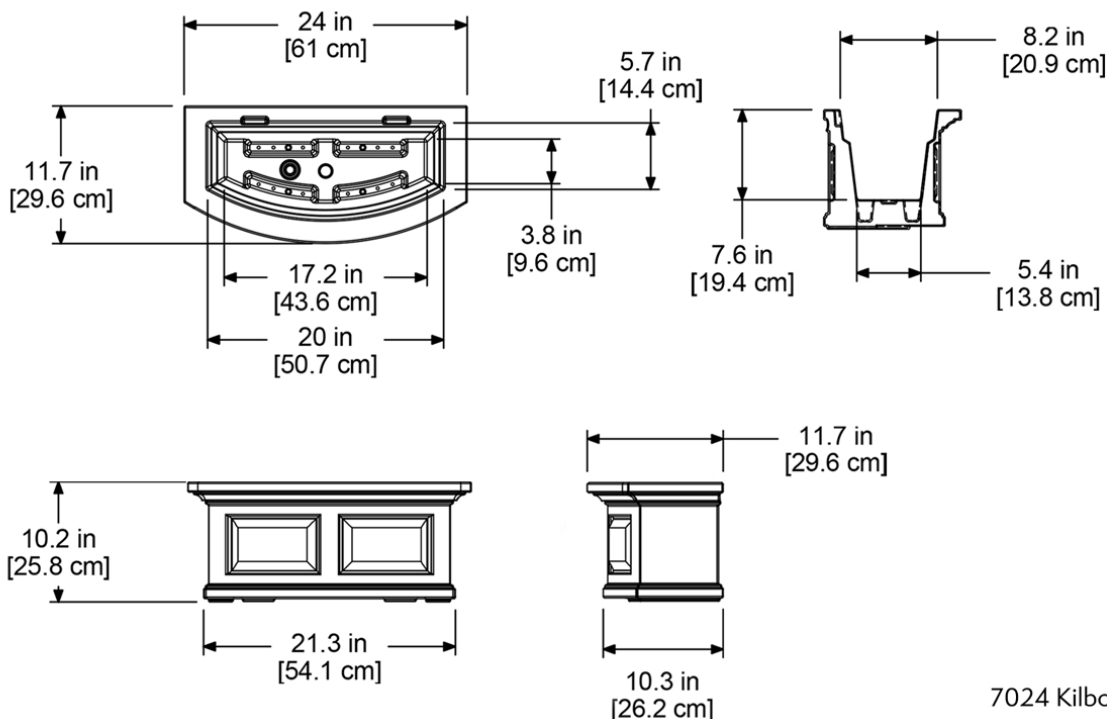
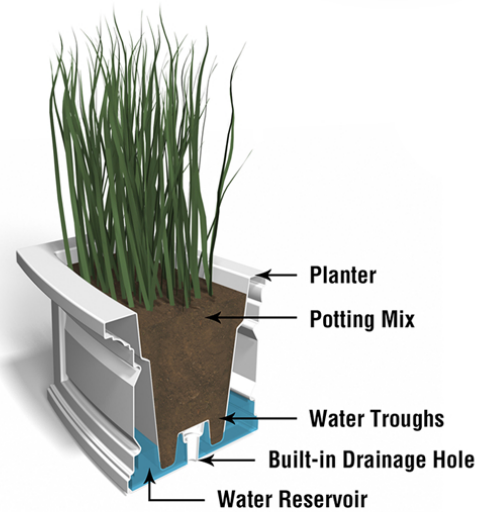
**Soil Capacity:** 2.5 Gallons (9.4 Liters)

**Water Reservoir Capacity:** 1.6 Gallons (6 Liters)

**Wall Thickness:** 0.125in (3.17mm)

**Part Weight:** 8lbs (3.6kg)

**Material:** Polyethylene



**MAYNE**<sup>®</sup>  
Outdoor Products of Distinction

7024 Kilbourne Rd - Unit A London, ON N6P 1K6  
Tel: 866-363-8834 | [www.gomayne.com](http://www.gomayne.com)  
[customerservice@gomayne.com](mailto:customerservice@gomayne.com)