

Fairfield

Model #4882

Fairfield 2ft Window Box



DESCRIPTION

With its inset panels and classic design, the Fairfield Collection is a timeless choice that will never go out of style. Enjoy the look of wood without any of the upkeep!

- Double wall design with built-in water reservoir feature
- Removable fill port plug for direct access to water reservoir
- Built-in overflow drainage hole helps avoid oversaturation
- Lightweight polyethylene window box with UV inhibitors
- Warranty: 15-Yr Residential Use / 5-Yr Commercial Use

PRODUCT DIMENSIONS

Outside Dimensions: 24in L x 11in W x 10.8in H (60.9cm x 27.8cm x 27.4cm)

Inside Dimensions: 20.5in L x 7.5in W x 8in D (52cm x 19cm x 20.3cm)

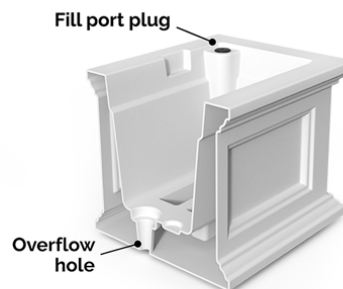
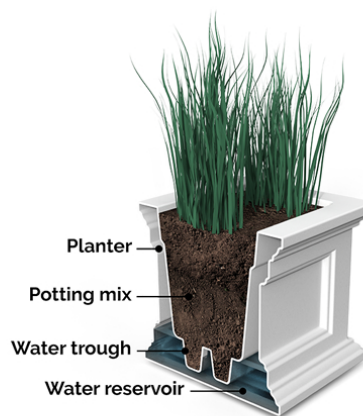
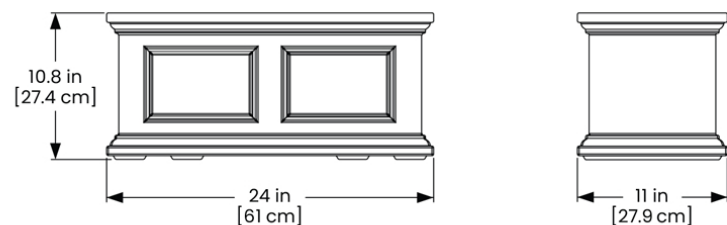
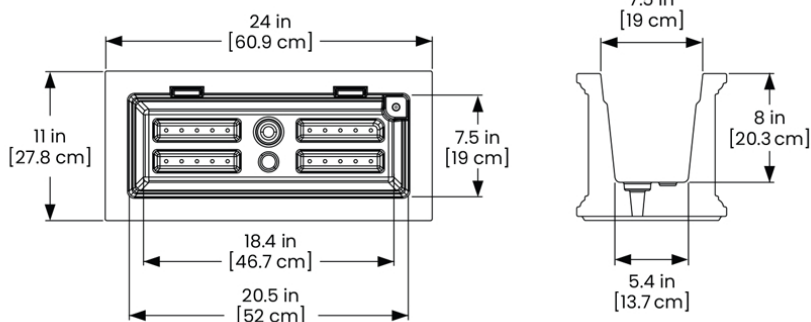
Soil Capacity: 4.1 Gal (15.6 Liters)

Water Reservoir Capacity: 2.4 Gal (9 Liters)

Wall Thickness: 0.125in (3.2mm)

Part Weight: 7 lbs (3.2kg)

Material: Polyethylene



MAYNE®

Bring life to your home & garden

7024 Kilbourne Rd - Unit A

London, ON N6P 1K6

866-363-8834 | gomayne.com

customerservice@gomayne.com