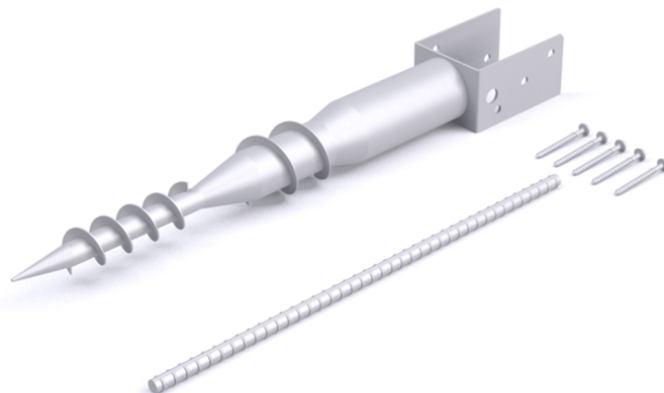


# Anchor

Model # 580D

## No Dig Ground Anchor



### DESCRIPTION

The No-Dig Ground Anchor offers a faster, cleaner, and easier way to install your mail post. It's an ideal way to avoid digging a hole and mixing concrete, it truly is a time saver.

- Accommodates a standard 4x4 wood post (*not included*)
- Not recommended for rocky or extremely sandy conditions
- 1-Year Warranty on hardware

### PRODUCT DIMENSIONS

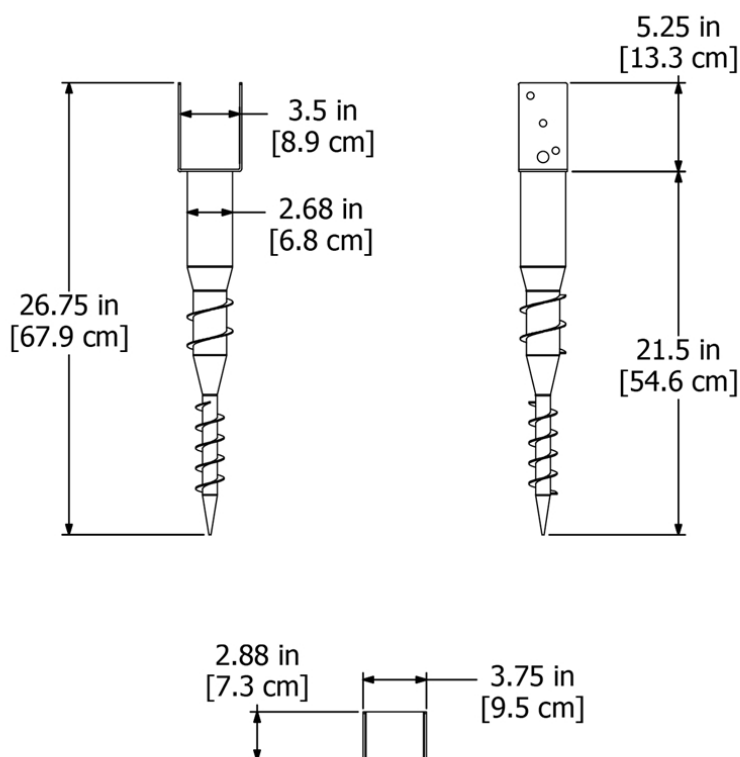
**Dimensions:** 3.75in L x 2.88in W x 26.75in H (9.5cm x 7.3cm x 67.9cm)

**Part Weight:** 6lbs (2.7kg)

**Material:** Steel with silver powder coating

**Contents:** Ground Anchor, 20" Rebar, and 5 Lag Bolts

*Note: Not recommended for rocky or extremely sandy conditions*



**MAYNE**<sup>®</sup>  
Outdoor Products of Distinction

7024 Kilbourne Rd - Unit A London, ON N6P 1K6  
Tel: 866-363-8834 | [www.gomayne.com](http://www.gomayne.com)  
[customerservice@gomayne.com](mailto:customerservice@gomayne.com)