

# Fairfield

Model # 5826

## Fairfield 20in x 36in Patio Planter



### DESCRIPTION

Have the look of wood without the upkeep with our high-grade polyethylene planters. Long-lasting beauty, durability and quality. Built-in water reservoir encourages healthy plant growth by allowing plants to practically water themselves.

- Adds a charming touch to any patio or deck
- Molded polyethylene planter with UV inhibitors
- Weather resistant, low maintenance material
- Features a double wall design creating a water reservoir
- Warranty: 15-Yr Residential Use / 5-Yr Commercial Use

### PRODUCT DIMENSIONS

**Outside Dimensions:** 35.6in L x 20in W x 20in H (90.4cm x 50.8cm x 50.8cm)

**Inside Dimensions:** 31in L x 15.4in W x 13in D (78.9cm x 39.2cm x 33cm)

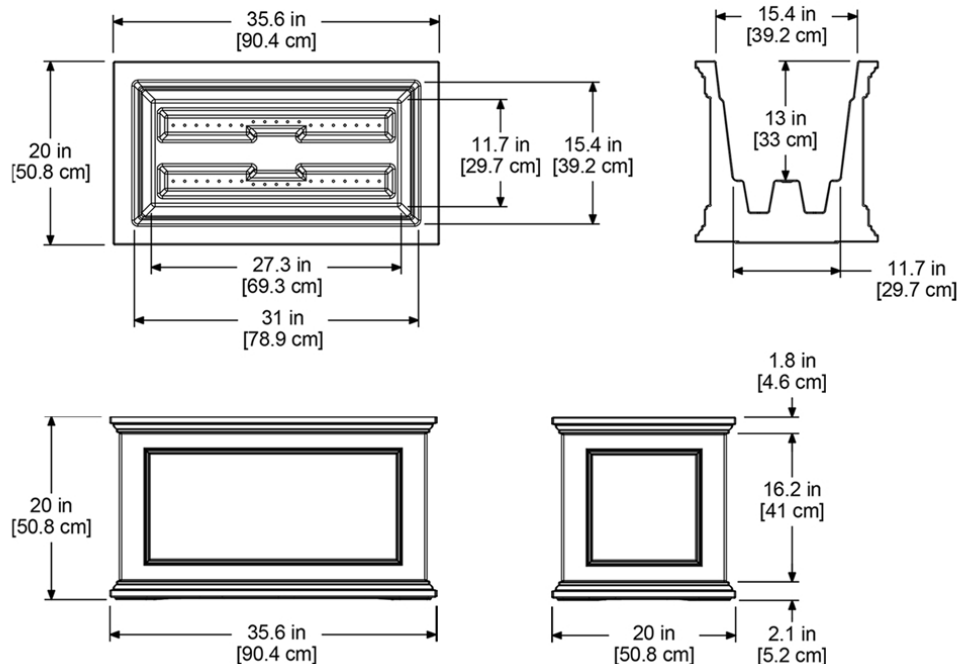
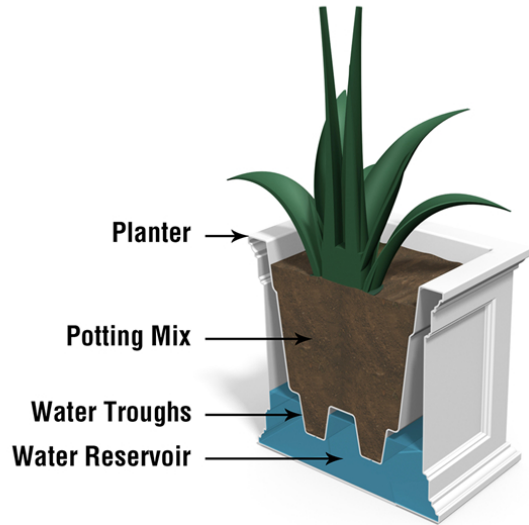
**Soil Capacity:** 22 Gallons (83.3 Liters)

**Water Reservoir Capacity:** 16 Gallons (60.6 Liters)

**Wall Thickness:** 0.125in (3.175mm)

**Part Weight:** 22lbs (10kg)

**Material:** Polyethylene



**MAYNE**<sup>®</sup>  
Outdoor Products of Distinction

7024 Kilbourne Rd - Unit A London, ON N6P 1K6

Tel: 866-363-8834 | [www.gomayne.com](http://www.gomayne.com)

[customerservice@gomayne.com](mailto:customerservice@gomayne.com)