

# Westbrook +

Model # 5830

## Westbrook Plus Mail Post



### DESCRIPTION

An Entrance with Charm...Exquisite detailing and old-world craftsmanship draw you in at a first glance. The Westbrook Mail Post is a simple addition that will create a dramatic difference for your entire home.

- Weather resistant, low maintenance material
- Installs easily over a standard 4x4 wood post
- Recommended for mailboxes up to 8lbs
- 100% high-grade polyethylene with built in UV inhibitors
- Warranty: 15-Yr Residential Use / 5-Yr Commercial Use

### PRODUCT DIMENSIONS

Outside Dimensions: 39.7in L x 8in W x 56.5in H (100.7cm x 20.3cm x 143.5cm)

Planter Arm Inset Panel Dimensions: 9.7in W x 4.6in H (24.6cm x 11.6cm)

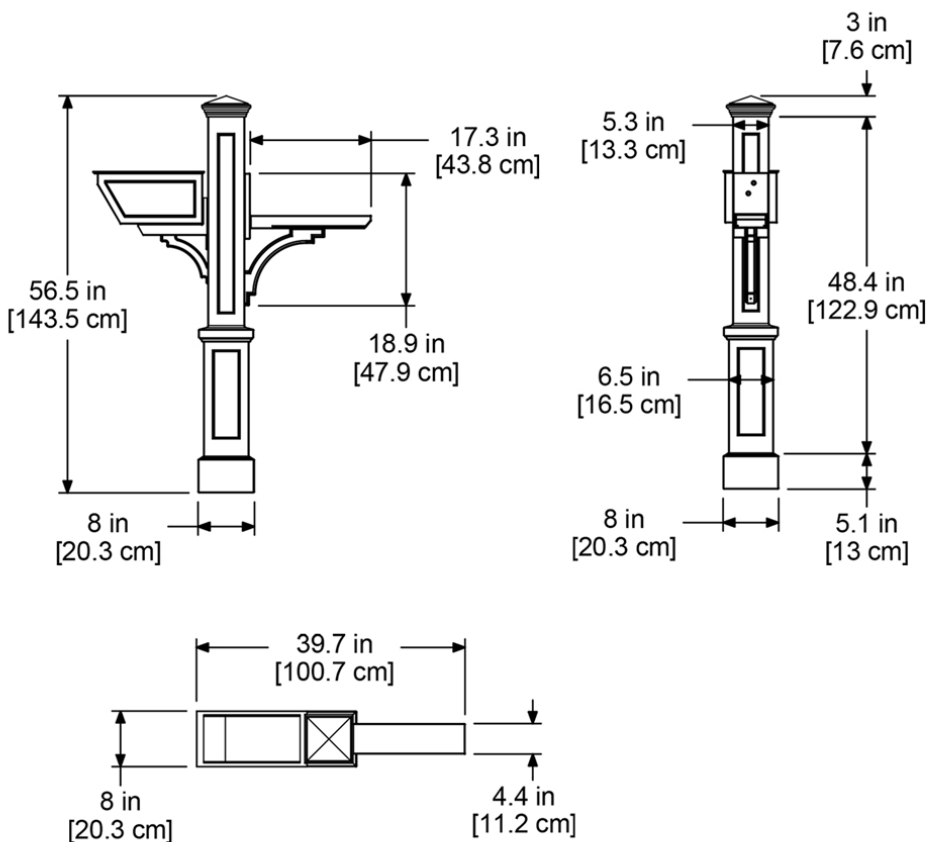
Wall Thickness: 0.125in (3.17mm)

Part Weight: 13lbs (5.9kg)

Material: Polyethylene

Contents: Post, Support Arm, Planter Arm, and Hardware

Note: 4x4 wood post, mailbox, and mailbox mounting hardware NOT included



**MAYNE**<sup>®</sup>  
Outdoor Products of Distinction

7024 Kilbourne Rd - Unit A London, ON N6P 1K6

Tel: 866-363-8834 | [www.gomayne.com](http://www.gomayne.com)

[customerservice@gomayne.com](mailto:customerservice@gomayne.com)