

Signature

Model # 5837

Lamp Post without Mount



DESCRIPTION

Light up your life with our Signature lamp post. Our low maintenance polyethylene lamp posts are a great solution to your residential lighting needs.

- Weather resistant, low maintenance material
- Lamp post also sold with steel ground mount (*Model # 5835*)
- 100% high-grade polyethylene with built in UV inhibitors
- Warranty: 15-Yr Residential Use / 5-Yr Commercial Use

PRODUCT DIMENSIONS

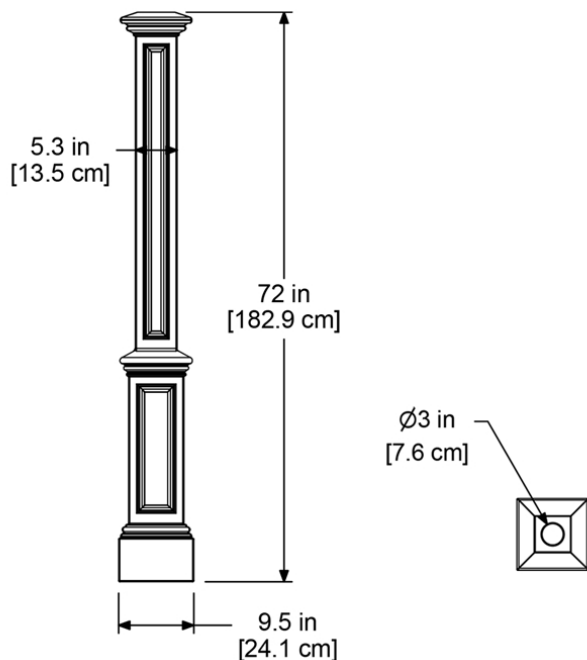
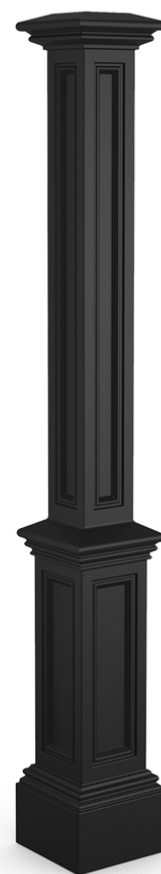
Sleeve Dimensions: 9.5in L x 9.5in W x 72in H (24.1cm x 24.1m x 182.9cm)

Wall Thickness: 0.125in (3.17mm)

Part Weight: 10lbs (4.5kg)

Material: Polyethylene

Note: Light fixture and wiring materials not included



MAYNE[®]
Outdoor Products of Distinction

7024 Kilbourne Rd - Unit A London, ON N6P 1K6
Tel: 866-363-8834 | www.gomayne.com
customerservice@gomayne.com