

Liberty

Model # 5838

Lamp Post without Mount



DESCRIPTION

Guide your footsteps to the entrance of your home with our Liberty Lamp Post. Our low maintenance polyethylene lamp posts are a great solution to your residential lighting needs.

- Weather resistant, low maintenance material
- Lamp post also sold with steel ground mount (*Model # 5836*)
- 100% high-grade polyethylene with built in UV inhibitors
- Warranty: 15-Yr Residential Use / 5-Yr Commercial Use

PRODUCT DIMENSIONS

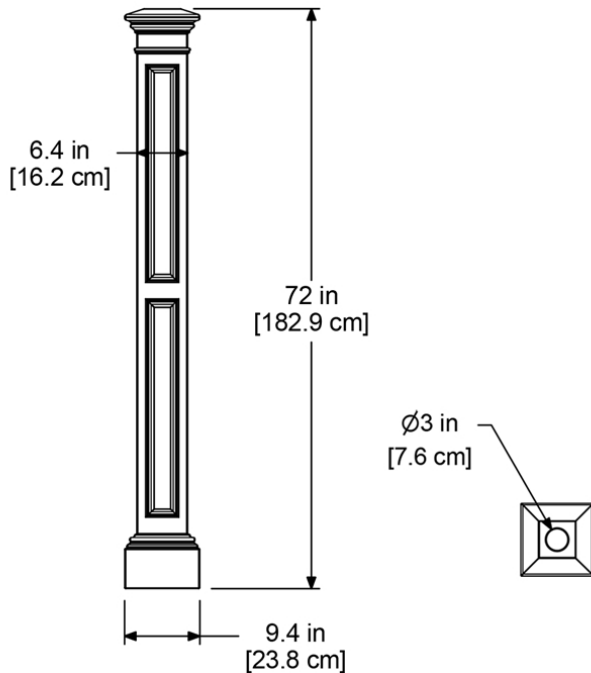
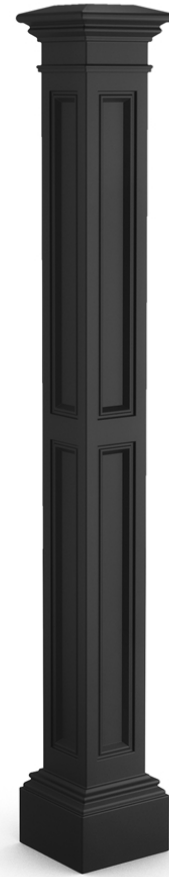
Sleeve Dimensions: 9.4in L x 9.4in W x 72in H (23.8cm x 23.8m x 182.9cm)

Wall Thickness: 0.125in (3.17mm)

Part Weight: 10lbs (4.5kg)

Material: Polyethylene

Note: Light fixture and wiring materials not included



MAYNE[®]
Outdoor Products of Distinction

7024 Kilbourne Rd - Unit A London, ON N6P 1K6

Tel: 866-363-8834 | www.gomayne.com

customerservice@gomayne.com