

# Manchester

Model # 5852

## Manchester Mail Post



### DESCRIPTION

With a truly classic look the Manchester mail post adds an authentic architectural element to any home. The fluted post design, detailed molding around the cap, and scrolling curve on the support arm combine perfectly to create a beautifully finished product.

- Weather resistant, low maintenance material
- Installs easily over a standard 4x4 wood post
- Recommended for mailboxes up to 16lbs
- 100% high-grade polyethylene with built in UV inhibitors
- Warranty: 15-Yr Residential Use / 5-Yr Commercial Use

### PRODUCT DIMENSIONS

**Outside Dimensions:** 26.3in L x 9.3in W x 58in H (66.7cm x 23.5cm x 147.3cm)

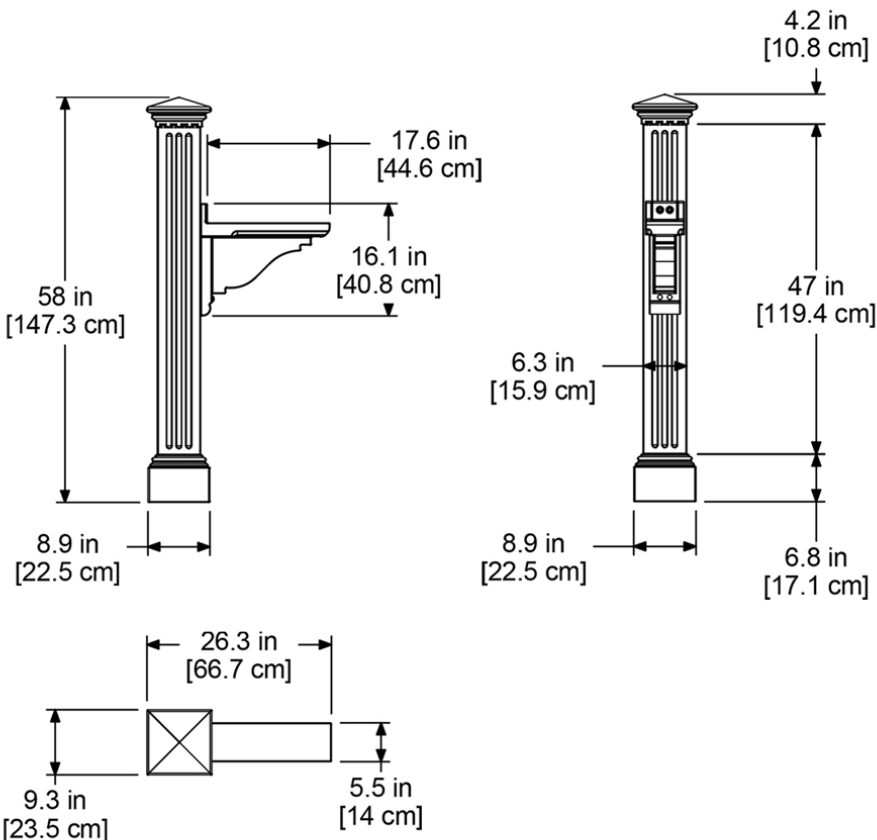
**Wall Thickness:** 0.125in (3.17mm)

**Part Weight:** 14lbs (6.4kg)

**Material:** Polyethylene

**Contents:** Post, Support Arm, and Hardware

*Note: 4x4 wood post, mailbox, and mailbox mounting hardware NOT included*



**MAYNE**<sup>®</sup>  
Outdoor Products of Distinction

7024 Kilbourne Rd - Unit A London, ON N6P 1K6

Tel: 866-363-8834 | [www.gomayne.com](http://www.gomayne.com)

[customerservice@gomayne.com](mailto:customerservice@gomayne.com)