

Acadia

Model # 5915

Acadia 18in Square Planter



DESCRIPTION

An ultramodern planter with a square shape and detailed base, the Acadia 16x16 is bound to make a statement.

- Double wall design with water reservoir feature
- Manually fill up the self-watering reservoir directly
- Weather resistant, low maintenance material
- 100% high-grade polyethylene planter with UV inhibitors
- Warranty: 15-Yr Residential Use / 5-Yr Commercial Use

PRODUCT DIMENSIONS

Outside Dimensions: 14.5in L x 14.5in W x 18in H (36.8cm x 36.8cm x 45.7cm)

Inside Dimensions: 11.7in L x 11.7in W x 10.8in D (29.6cm x 29.6cm x 27.3cm)

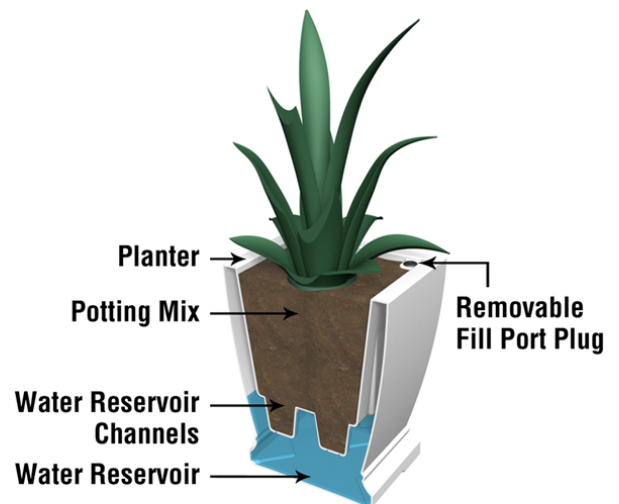
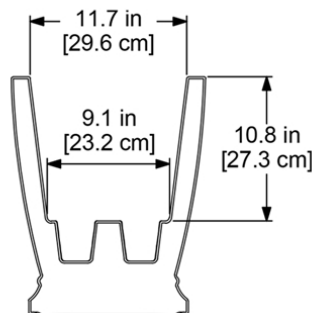
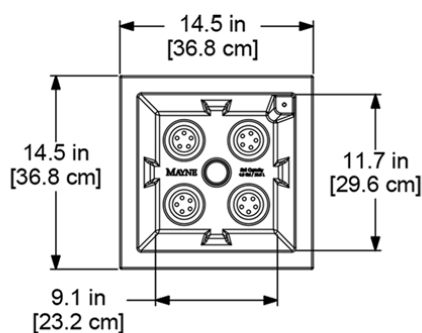
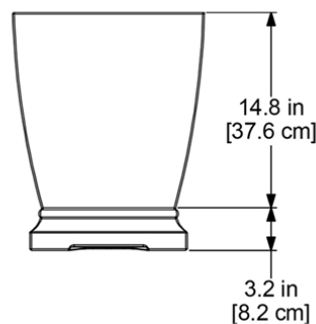
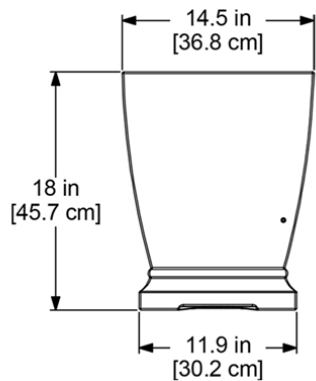
Soil Capacity: 4.9 Gallons (18.5 Liters)

Water Reservoir Capacity: 3 Gallons (11.4 Liters)

Wall Thickness: 0.12in (3mm)

Part Weight: 7.4lbs (3.4kg)

Material: Polyethylene



MAYNE[®]
Outdoor Products of Distinction

7024 Kilbourne Rd - Unit A
London, ON N6P 1K6
866-363-8834 | gomayne.com
customerservice@gomayne.com