

Acadia

Model # 5920

Acadia 20in Planter



DESCRIPTION

The 20in Acadia is a popular style as it captures both modern and traditional design sensibilities. Double-wall design adds stability to the planter and provides the roots with adequate insulation.

- Self watering sub-irrigation water system
- Direct access to the water reservoir
- Weather-resistant, low maintenance material
- 100% high-grade polyethylene with UV inhibitors
- Warranty: 15-Yr Residential Use / 5-Yr Commercial Use

PRODUCT DIMENSIONS

Outside Dimensions: 20in L x 20in W x 20in H (50.8cm x 50.8cm x 50.8cm)

Inside Dimensions: 16.5in L x 16.5in W x 13in D (42cm x 42cm x 33cm)

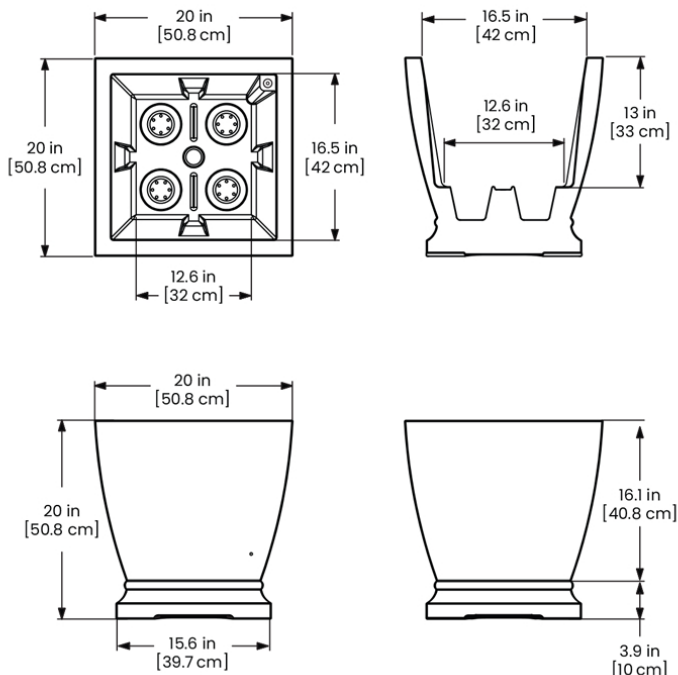
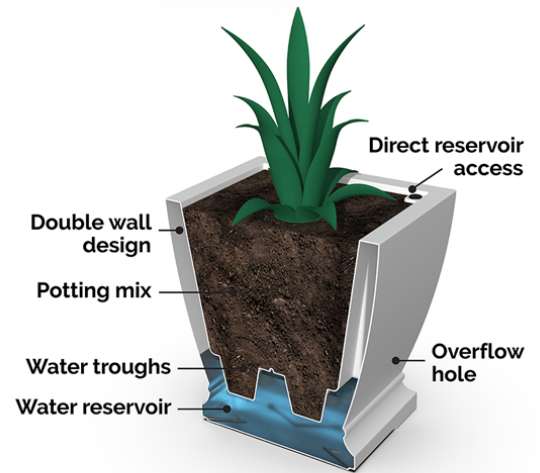
Soil Capacity: 11.8Gal (44.7L)

Water Reservoir Capacity: 5.2Gal (19.6L)

Wall Thickness: 0.125in (3.2mm)

Part Weight: 11.9lbs (5.4kg)

Material: Polyethylene



MAYNE[®]
Outdoor Products of Distinction

7024 Kilbourne Rd - Unit A
London, ON N6P 1K6
866-363-8834 | gomayne.com
customerservice@gomayne.com