

Bordeaux

Model # 8802

Bordeaux 40in Tall Planter



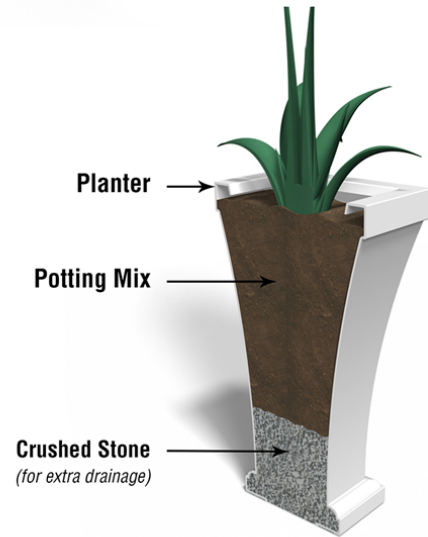
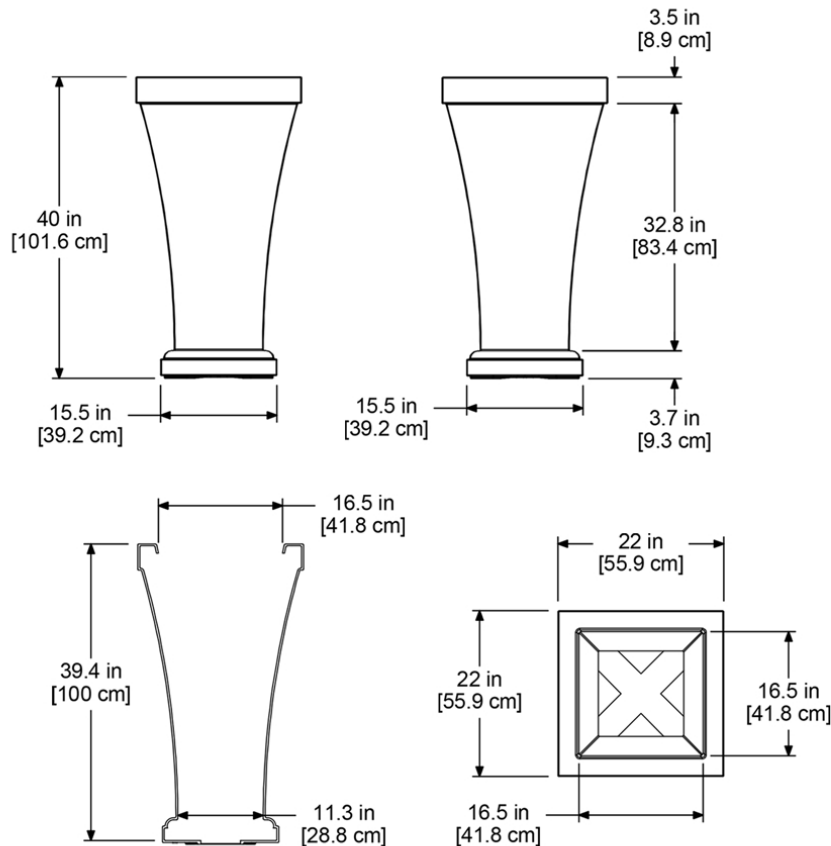
DESCRIPTION

The Bordeaux Tall Patio Planter is a gorgeous addition to any patio or front entrance, this planter offers up the right balance of style and durability that you should expect from a high quality polyethylene product. This planter is a perfect architectural accent to any indoor or outdoor space. Make a statement!

- Textured finish for increased durability
- Single wall design with rolled rim for a clean, finished appearance
- Weather resistant, low maintenance material
- 100% high-grade polyethylene planter with UV inhibitors
- Warranty: 15-Yr Residential Use / 5-Yr Commercial Use

PRODUCT DIMENSIONS

Outside Dimensions: 22in L x 22in W x 40in H (55.9cm x 55.9cm x 101.6cm)
Inside Dimensions: 16.5in L x 16.5in W x 39.4in D (41.8cm x 41.8cm x 100cm)
Soil Capacity: 38 Gallons (143 Liters)
Wall Thickness: 0.26in (6.5mm)
Part Weight: 30lbs (13.6kg)
Material: Polyethylene



MAYNE[®]
Outdoor Products of Distinction

7024 Kilbourne Rd - Unit A
London, ON N6P 1K6
866-363-8834 | gomayne.com
customerservice@gomayne.com