

Modesto

Model # 8884

Modesto 30in Round Planter



DESCRIPTION

With a sloped top and grooved texture, the Modesto collection offers a bold twist to a contemporary design that truly captures the elusive flair of European styling. It's hard to believe such beauty and elegance can be found in a form that appears so simple and uncontrived. Make a statement!

- Commercial grade thickness for added strength
- 100% polyethylene planter with UV inhibitors
- Weather resistant, low maintenance material
- Double wall design for increased rigidity
- Warranty: 15-Yr Residential Use / 5-Yr Commercial Use

PRODUCT DIMENSIONS

Outside Dimensions: 30in DIA x 34in H (76.3cm x 86.3cm)

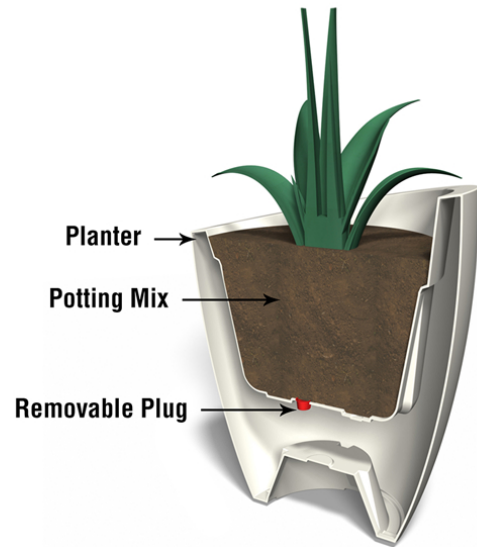
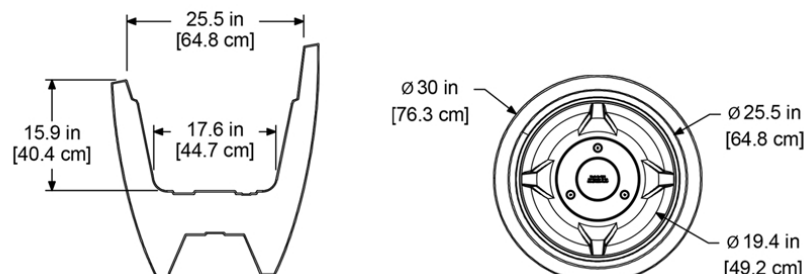
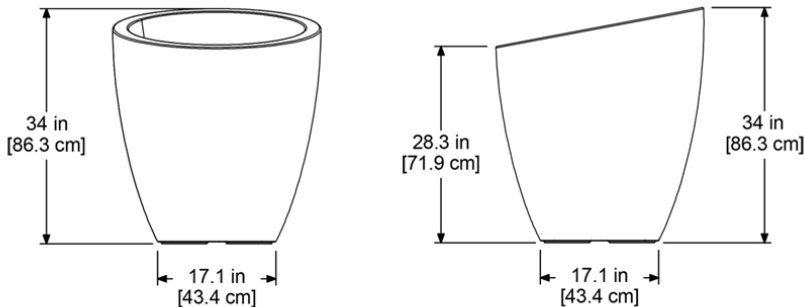
Inside Dimensions: 25.5in DIA x 15.9in D (64.8cm x 40.4cm)

Soil Capacity: 22 Gallons (83 Liters)

Wall Thickness: 0.2in (5mm)

Part Weight: 34lbs (15.4kg)

Material: Polyethylene



MAYNE[®]
Outdoor Products of Distinction

7024 Kilbourne Rd - Unit A London, ON N6P 1K6
Tel: 866-363-8834 | www.gomayne.com
customerservice@gomayne.com