

Bordeaux

Model # 8890

Bordeaux Trough Planter



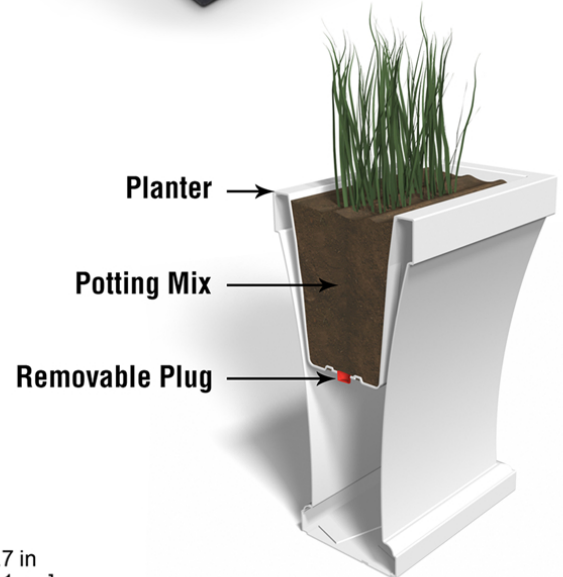
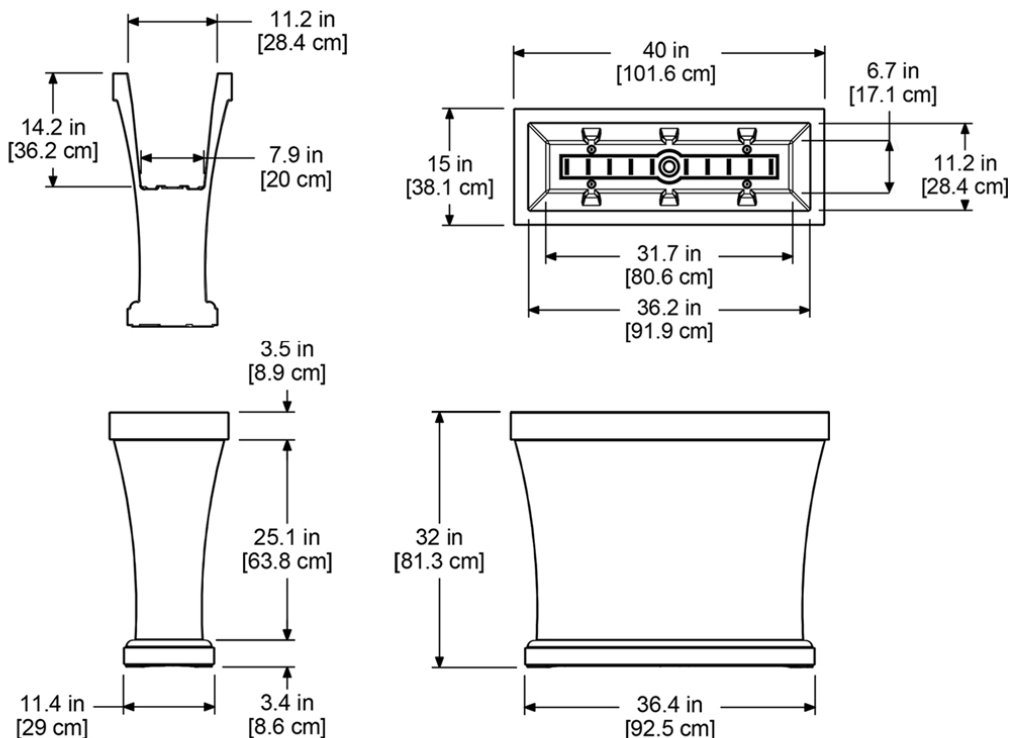
DESCRIPTION

The Bordeaux Trough Planter offers up the right balance of style and durability that you should expect from a high quality polyethylene product. The trough design has a narrow footprint making it the ideal choice for privacy dividers or barriers for outdoor living spaces and patios.

- Double wall design for increased rigidity
- Textured finish for increased durability
- Weather resistant, low maintenance material
- 100% high-grade polyethylene planter with UV inhibitors
- Warranty: 15-Yr Residential Use / 5-Yr Commercial Use

PRODUCT DIMENSIONS

Outside Dimensions: 40in L x 15in W x 32in H (101.6cm x 38.1cm x 81.3cm)
Inside Dimensions: 36.2in L x 11.2in W x 14.2in D (91.9cm x 28.4cm x 36.2cm)
Soil Capacity: 17.5 Gallons (66 Liters)
Wall Thickness: 0.2in (5mm)
Part Weight: 35lbs (15.8kg)
Material: Polyethylene



MAYNE[®]
Outdoor Products of Distinction

7024 Kilbourne Rd - Unit A
London, ON N6P 1K6
866-363-8834 | gomayne.com
customerservice@gomayne.com