

# Madison Rain Catcher Installation Model # 5847

# MIS011 r3



Made In USA

**PACKAGE CONTENTS:** 1x Rain Catcher, 1x Lid, 1x Hardware Kit

**MATERIAL:** Linear low-density polyethylene (LLDPE)

**WARRANTY:** 15-year residential warranty (1-year on hardware)

### IMPORTANT NOTES:

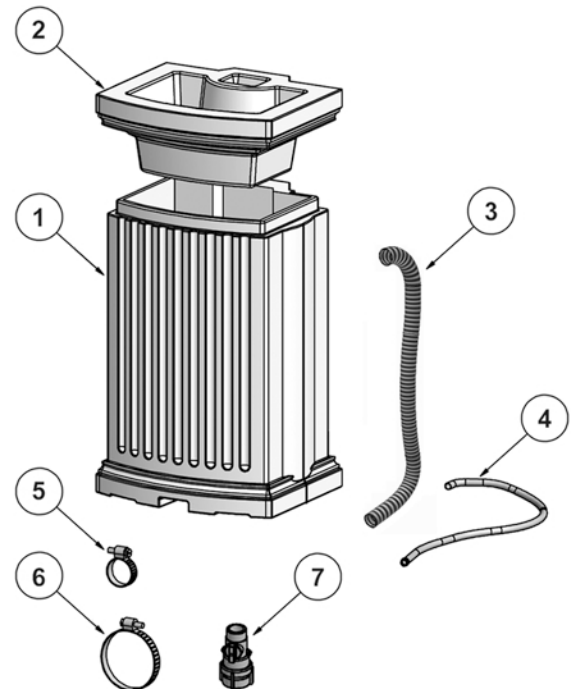
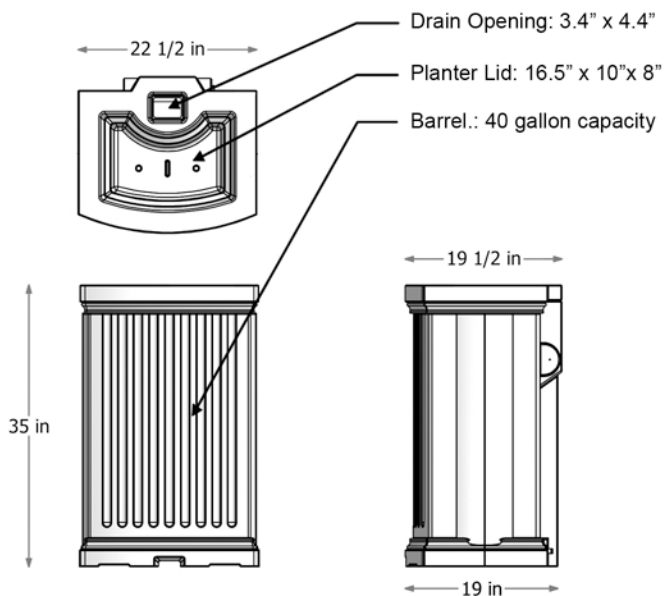
- Always direct the overflow hose away from the foundation of the house.
- To prevent tipping always leave some water in the barrel.
- In colder climates we recommend emptying the rain barrel for winter storage. While the rain barrel is in storage temporarily attach a flexible downspout hose (not included) to direct water away from the house.

In the event of missing or defective parts, please contact our customer service department at [customerservice@gomayne.com](mailto:customerservice@gomayne.com) or toll free at 866-363-8834 (Monday through Friday, 8am-5pm EST).

### Materials List:

QTY	Description	Part #
1	Decorative Barrel	1
1	Planter Top	2
<i>Hardware Kit Includes:</i>		
1	Overflow Hose	3
1	Garden Hose	4
1	Small Hose Clamp	5
1	Large Hose Clamp	6
1	Shut-off Valve	7

**Tools Required:** Slot screw driver



### General Information:

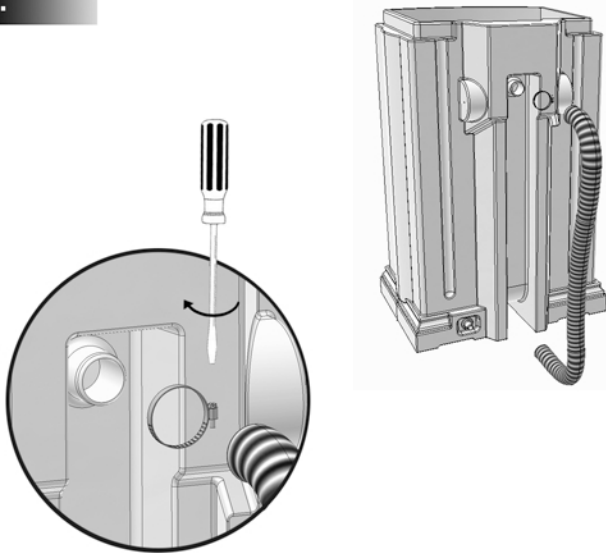
- Read instructions carefully before beginning assembly.
- Clean product with a soap solution and high-pressure water.
- Downspout connectors are not included (available at your local home center).

**MAYNE**<sup>®</sup>  
Outdoor Products of Distinction  
[www.gomayne.com](http://www.gomayne.com)

# Madison Rain Catcher Installation

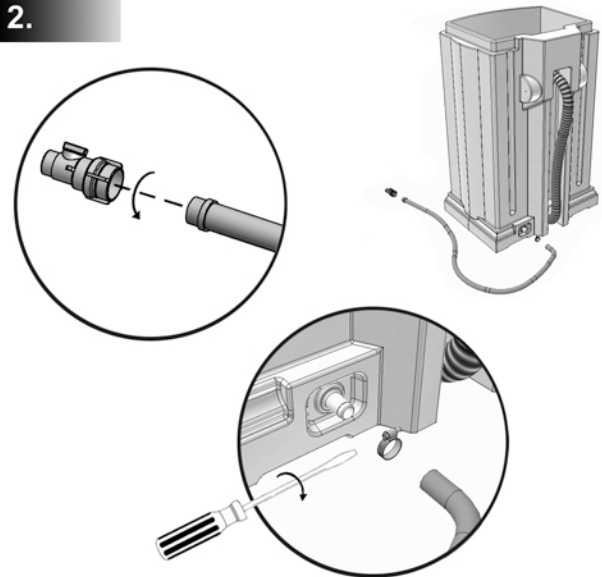
# MIS011 r3

1.



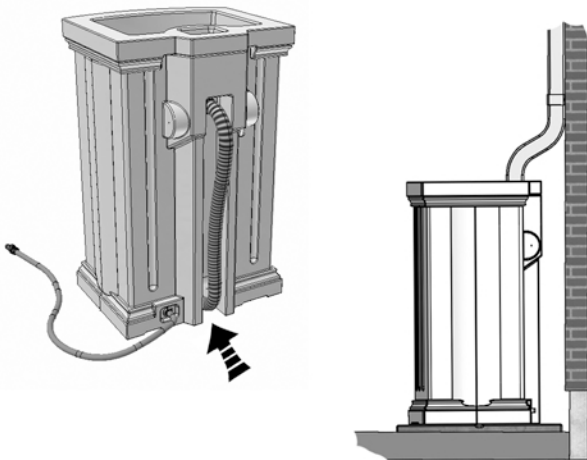
Attach the overflow hose (part 3) to the rain barrel overflow connector using the large clamp (part 6) to secure the hose in place. Tighten clamp with a slotted screw driver.

2.



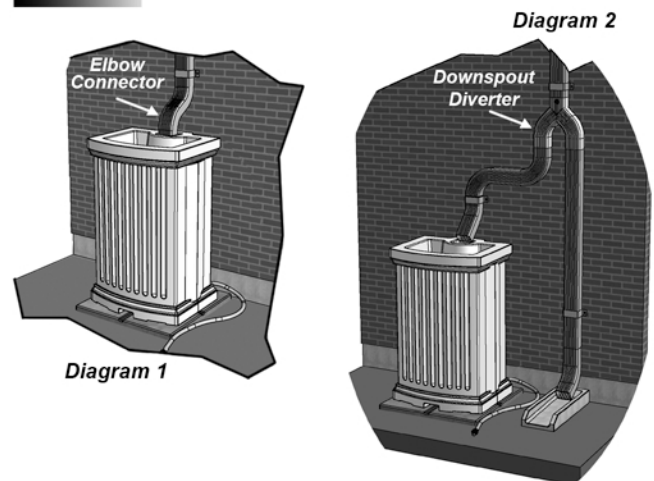
Attach the shut-off valve (part 7) to the threaded end of the garden hose (part 4). Next, attach the garden hose (part 4) to the rain barrel drain connector using the small clamp (part 5) to secure the hose in place. Tighten clamp with a slotted screw driver.

3.



When placing your barrel under the downspout check that the ground is level and be sure to insert the overflow hose into the center channel as indicated by the arrow. We recommend using a patio stone to create a flat surface. Slightly angle the patio stone away from the house to direct run off water away from the foundation.

4.



To complete the installation we recommend attaching an elbow to the end of the downspout (see diagram 1). A second option is the use of downspout diverter which has a lever to direct water into the barrel. Once the barrel is full you manually flip the lever back to direct water down the regular downspout (see diagram 2).

For questions or concerns please contact our customer service department at [customerservice@gomayne.com](mailto:customerservice@gomayne.com) or toll free at 866-363-8834.

**MAYNE**<sup>®</sup>  
Outdoor Products of Distinction  
[www.gomayne.com](http://www.gomayne.com)