

# Yorkshire Window Box Instructions

(Model #'s 4822, 4823, 4824, 4825, 4826, 8827, 8828)

# MIS018 r3

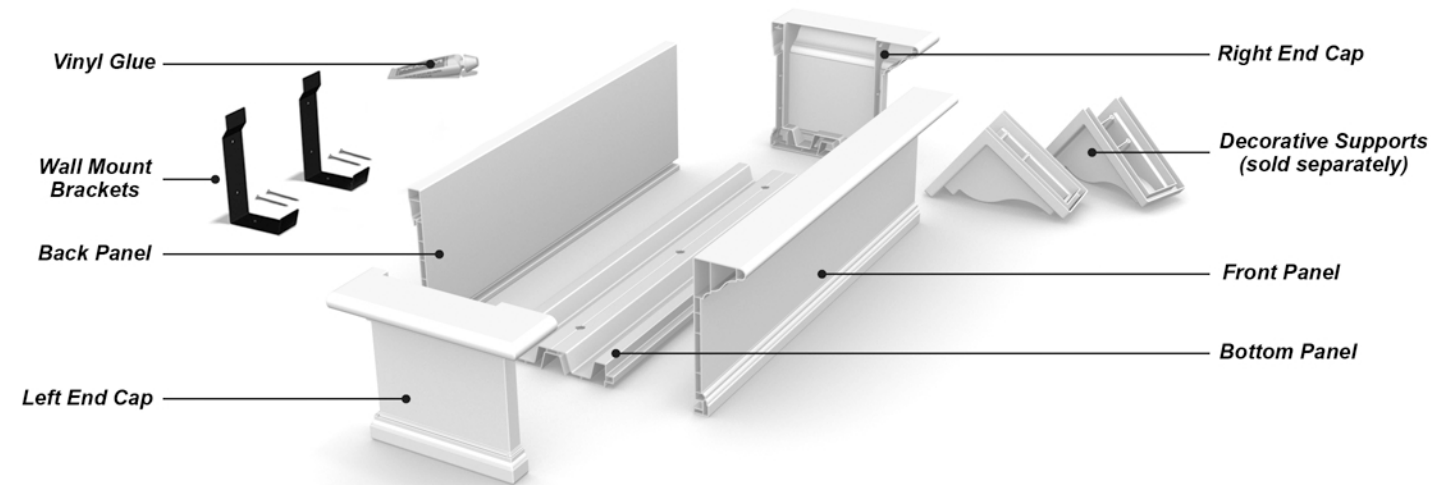


**PACKAGE CONTENTS:** Front Panel, Back Panel, Bottom Panel, Left and Right End Caps, Wall Mount Brackets with screws, & Vinyl Glue (Decorative Supports Sold Separately)

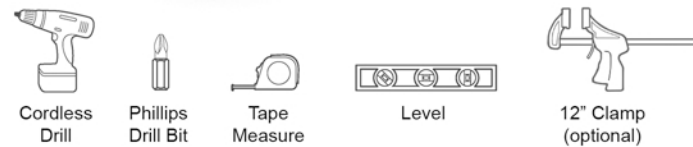
**DIMENSIONS:** 12" depth x 10.2" height x (2', 3', 4', 5', 6', 7', and 8' Lengths)

**IMPORTANT NOTE:**

- Vinyl glue starts to set within minutes so once you start applying glue continue with assembly in a timely manner.



**Tools Required:**



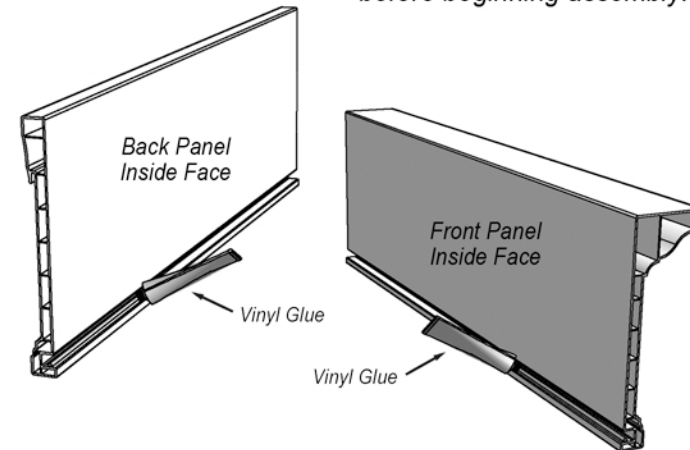
**General Information:**

- Read instructions carefully before beginning assembly. Test fit all pieces before applying any glue. The bond is permanent so parts can't be adjusted or rearranged once the glue has cured.
- Allow the glue to fully cure before filling the window box with any planting materials or water.
- Do not overload the window boxes. Lightweight fillers and potting mixes are recommended.
- The Yorkshire window boxes are suitable for flowers, herbs, vegetables, and small plants.
- To clean the product use standard house hold cleaners
- The molded vinyl construction is designed to withstand cold temperatures but you may wish to winter store the planter in a shed or garage to offer the best protection from extreme cold.
- Wall mount brackets include screws for general mounting applications; however when installing on brick and concrete, masonry screws or anchors are required.

In the event of missing or defective parts, please email [customerservice@gomayne.com](mailto:customerservice@gomayne.com) or call our customer service department toll free at 866-363-8834 (available Monday through Friday, 8am-5pm EST).

**MAYNE**  
Outdoor Products of Distinction  
[www.gomayne.com](http://www.gomayne.com)

1

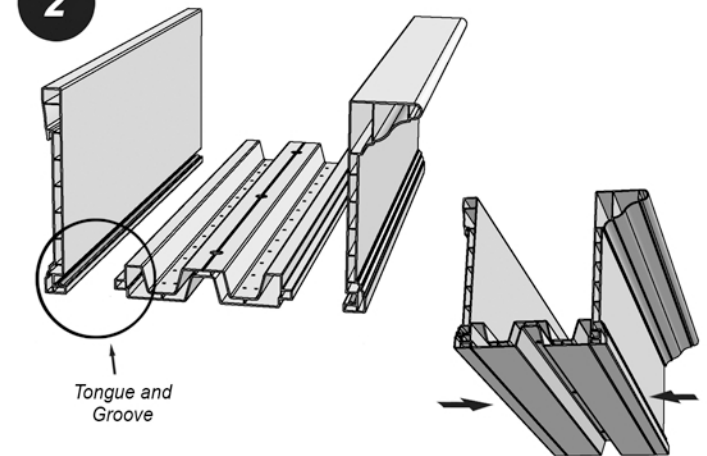


**Reminder:** Test fit all peices before beginning assembly!

Identify the front and back panel from the part list. Run a continuous bead of glue along the groove on each panel. Be generous to ensure each groove has plenty of adhesive to create a good seal.

(Note: The vinyl glue starts to set within minutes so once you apply the glue continue with the assembly in a timely manner. It may take several hours for the glue to fully cure. Please refer to the glue instructions for complete details.)

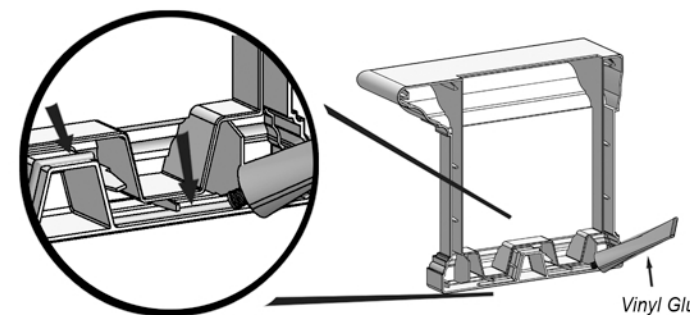
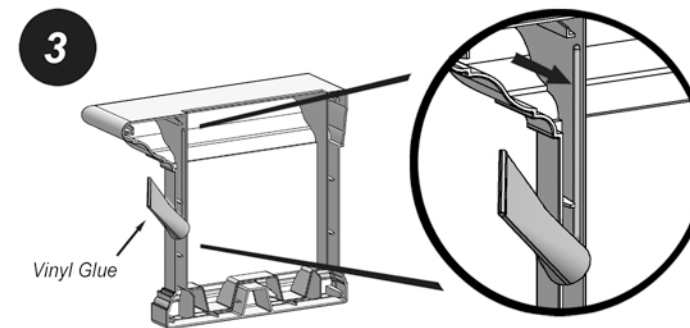
2



Position all 3 panels as shown above ensuring the bottom panel has the perforated holes facing up. A tonque and groove design provides easy alignment between the panels. Squeeze the parts together and check for a tight fit throughout the length of the panels. For best results clamp the panels together while the glue cures.

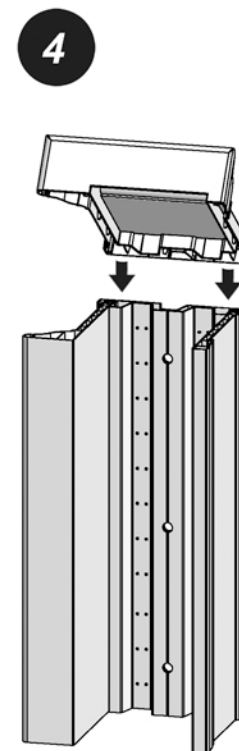
(Tip: Place cardboard on the floor to avoid any scratches during assembly)

3



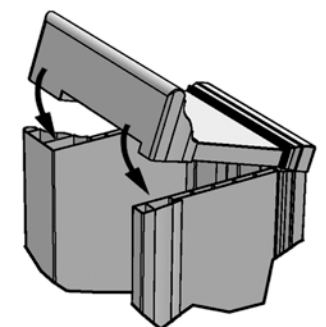
Identify the right and left end caps from the part list. Starting with only the Left End Cap, run a continuous bead of glue along the internal walls of the cap. Be generous with the glue to ensure a strong seal is formed between the panels and end cap.

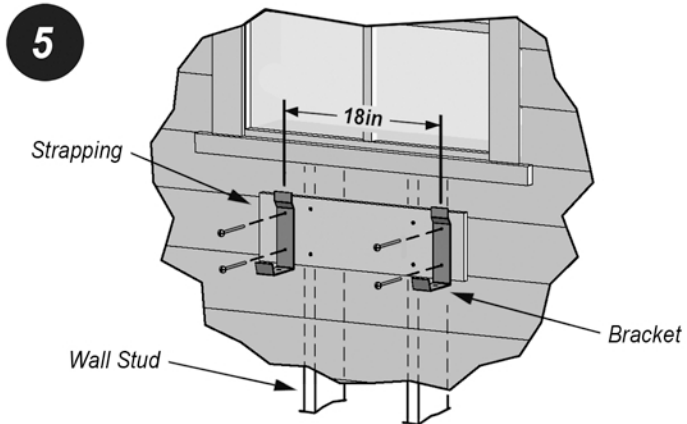
4



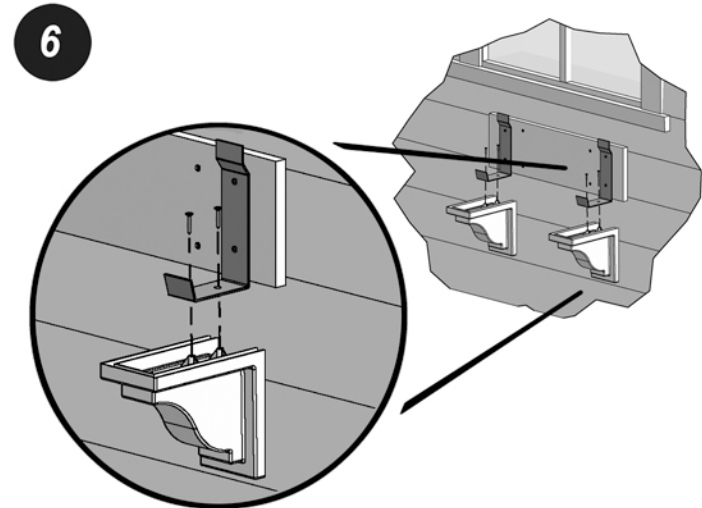
Stand the 3 panels on one end as shown on the left. Align the end cap at an angle and start by inserting the panels into the bottom portion of the end cap. You may need to wiggle the cap to get the panels to fit inside the guides. Work your way down by aligning the top portion of the panels with the end cap and rotate the cap downward as indicated by the arrows below. Once in place press firmly to ensure the cap is properly seated.

REPEAT Steps 3 & 4 for the Right End Cap.

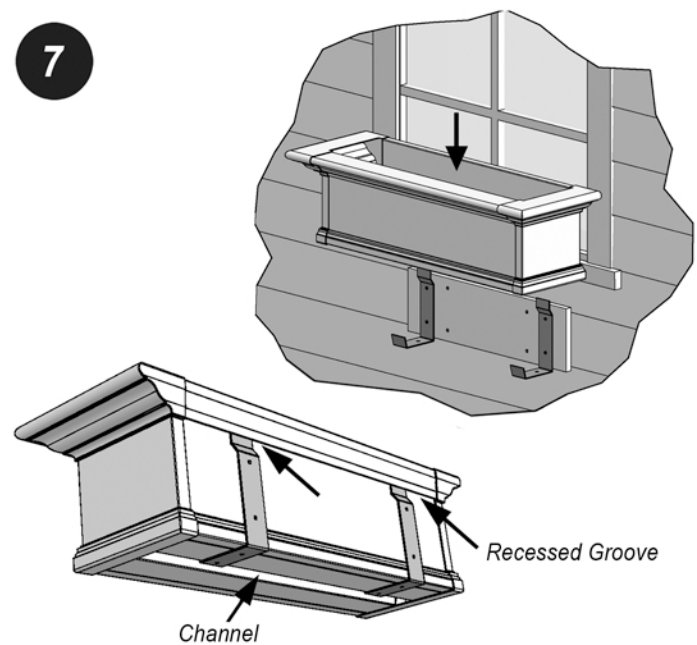




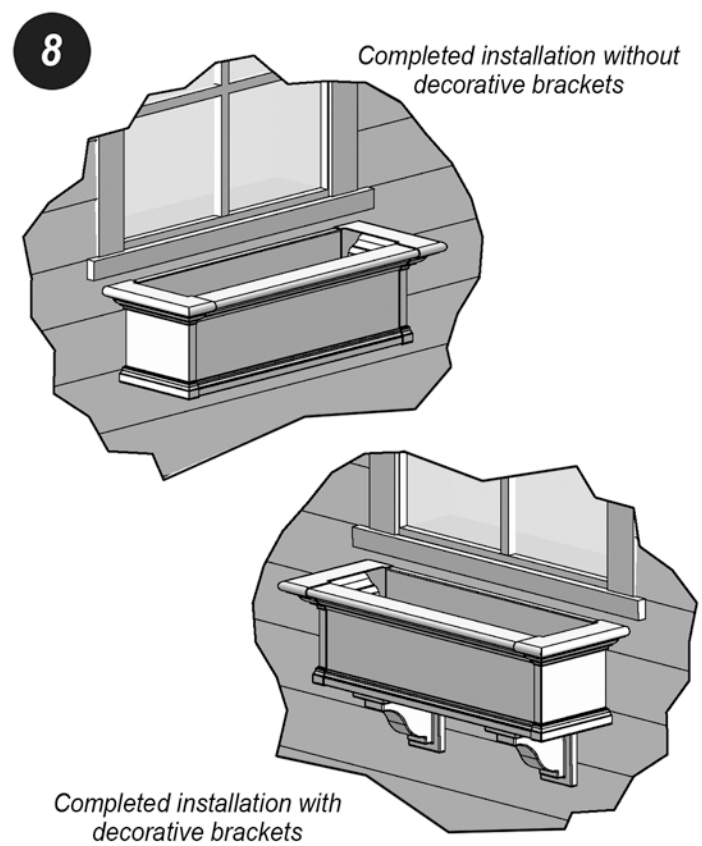
Wall mount brackets should be installed onto a sturdy surface. Strapping is recommended for installations on siding. The top of the brackets should all be level and installed 3 inches below the window sill or ledge. This provides clearance for mounting the window box on the brackets. Wall mount brackets should be spaced no more than 18 inches apart. For more support we've included extra brackets with our longer window boxes sizes (4ft through 8ft) to allow for spacing of approximately 14 inches apart.



To install the optional decorative brackets align the holes with the wall mount brackets (*decorative brackets are sold separately*). Secure using the two screws provided with the decorative brackets. The molded vinyl brackets are decorative only so there is no need to over tighten the screws.



Place the window box directly over the wall mount brackets and slide straight down. The top of the brackets should slide into the recessed groove on the back panel. The front part of bracket should fit inside the channel running down the center of the bottom panel. Gently pull on the window box to make sure the brackets are seated properly.



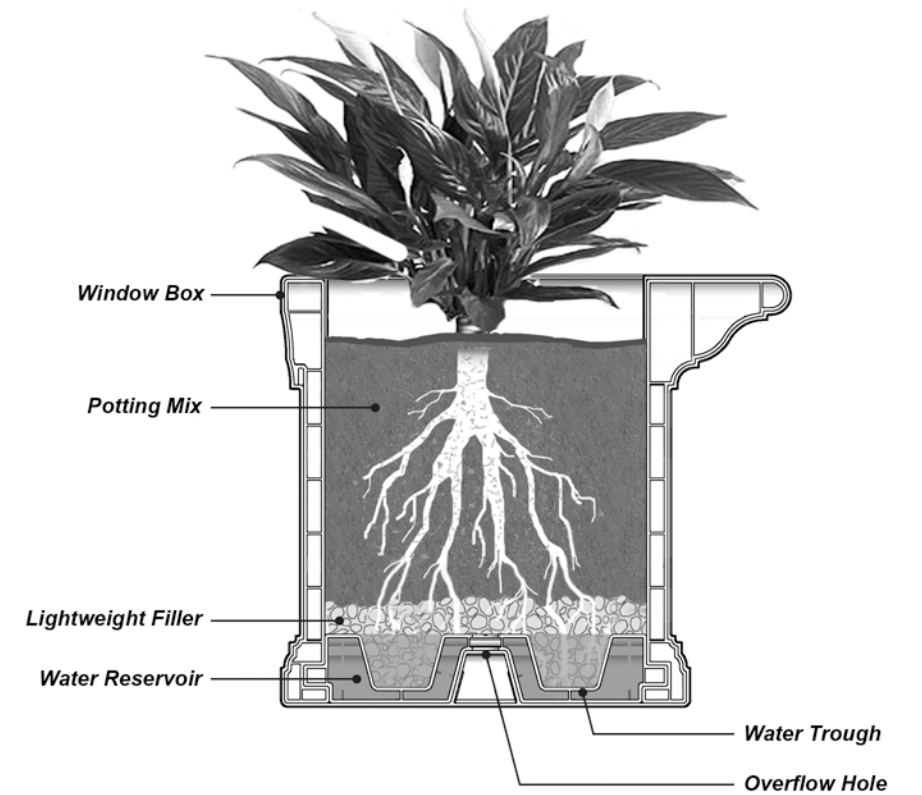
**General Planting Recommendations:**

To maximize the efficiency of the sub-irrigation system and encourage healthy plant growth we recommend the following:

- 1) Add a layer of lightweight filler to the bottom of the planter.
- 2) Top up the planter with a potting mix (not garden soil) containing peat moss, perlite or vermiculite. Many gardeners have found "soil-less" potting mixes promote stronger root growth.
- 3) Start planting and enjoy!

**Sub-Irrigation System**

The Yorkshire window box includes a trough design creating a sub-irrigation water reservoir at the bottom of the planter. Capillary action allows water in the reservoir to soak upward keeping the soil and plant roots moist. To avoid oversaturation overflow holes are drilled in the bottom panel allowing excess water to drain out from the bottom of the planter. Regular watering is required for the first few weeks giving the root system time to develop. Once the roots have grown down to the troughs the plants will be able to pull moisture from the reservoir creating a self watering effect.



**NOTE:** The information above is only suggested and Mayne holds no liability for the condition or growth of your plants.