



PACKAGE CONTENTS: 1x Georgian Tall Planter

MATERIAL: Polyethylene

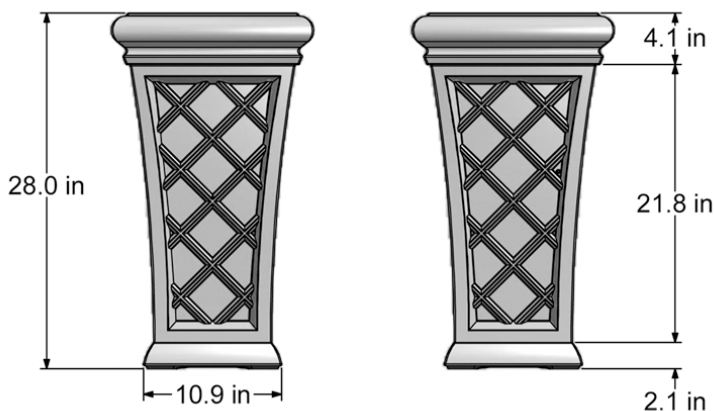
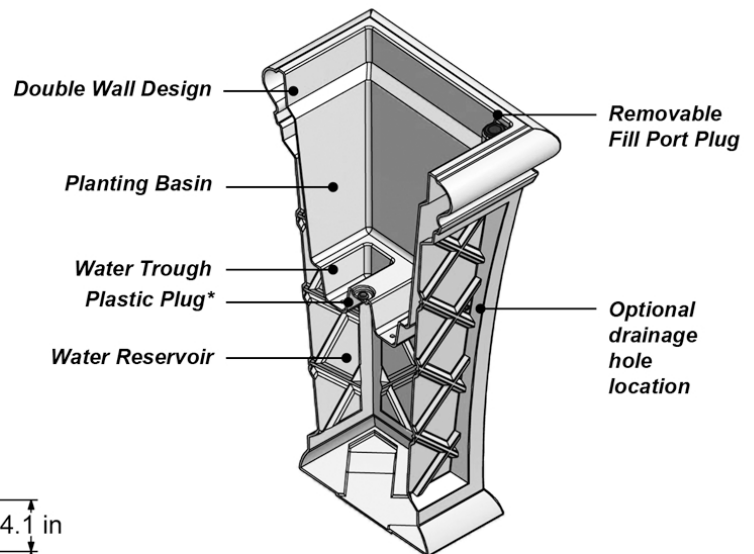
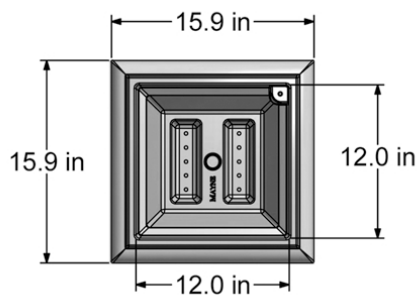
IMPORTANT NOTES:

- Drainage holes are not included and can be drilled in the desired location depending on the intended use of the planter. See instructions on the reverse side for more details.
- Mayne planters are very durable but we still recommend lightweight fillers and potting mixes for optimal plant growth.

In the event of missing or defective parts, please email customerservice@gomayne.com or call our customer service department toll free at 866-363-8834 (available Monday through Friday, 8am-5pm EST).

General Information:

- To clean the product: For best results use a soap solution and high-pressure water.
- On the reverse side of this instruction sheet there are a few potting recommendations, but please consult your local garden centre or landscape horticulturist for more detailed information.
- Mayne all-weather planters molded with high quality polyethylene and designed for year-round use.
- While the planters are designed for year round use we strongly recommend draining any excess water in preparation for the colder weather.
- 15-year warranty for residential use.



Soil Capacity: 4.5 Gallons (17 Liters)
Water Reservoir Capacity: 5 Gallons (19 Liters)

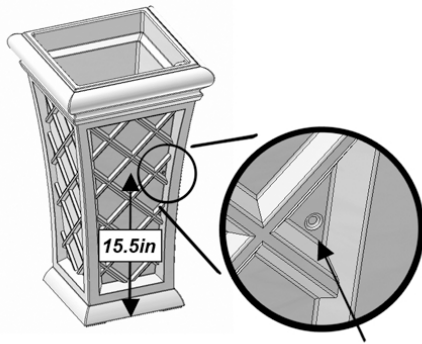
** The black plastic plug covers up a vent hole used in the manufacturing process. There is no need to remove this plug.*

Drainage Holes:

Depending on the intended use of the planter, drainage holes need to be drilled in different locations.

OPTION #1:

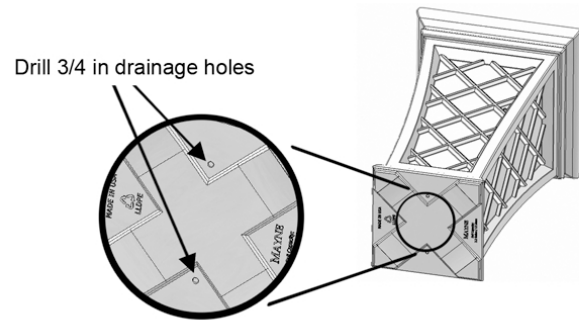
To utilize the water reservoir feature, drill a hole 15.5 inches up from the bottom the planter. A divot marks the location as shown below. The overflow helps maintain ideal water levels and avoid oversaturation of the soil.



Drill a 1/4 in drainage hole

OPTION #2:

To use the planter as a regular container planter simply drill one or two holes in the bottom of the planter to allow for drainage.

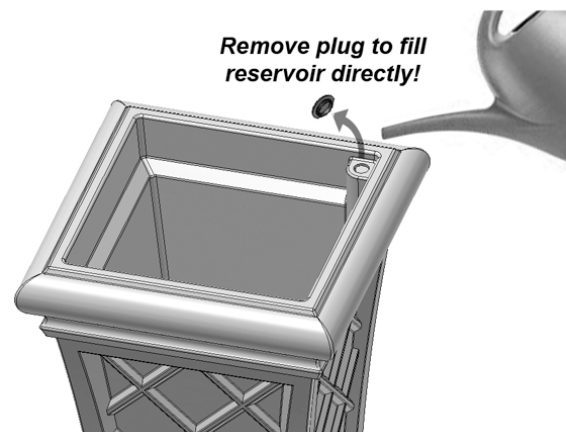
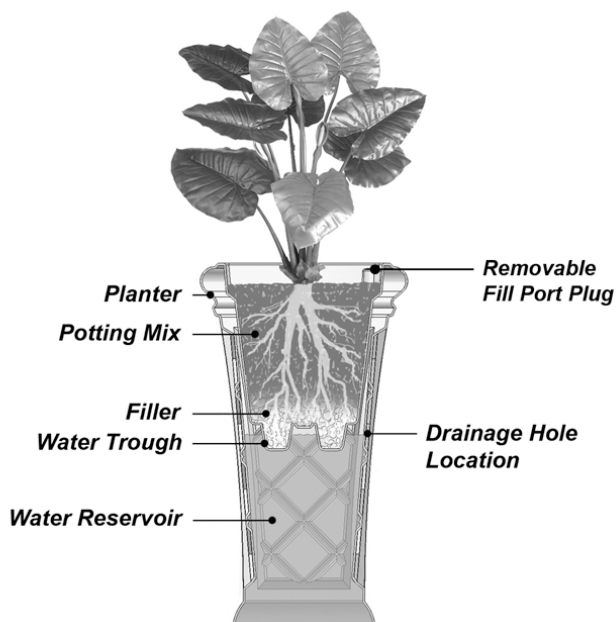


Drill 3/4 in drainage holes

General Recommendations:

To maximize the efficiency of the sub-irrigation system and encourage healthy plant growth we recommend the following:

- 1) Add a few inches of lightweight filler to the bottom of the tray. Some suggestions for lightweight fillers include lava rock, mulch, wood chips, or foam packing peanuts (don't use foam packing peanuts if you are growing edible plants).
- 2) Top up the planter with a potting mix (not garden soil) containing peat moss, perlite or vermiculite. Many gardeners have found "soil-less" potting mixes promote stronger root growth.
- 3) Water as you needed for the next few weeks allowing the reservoir to fill up with water. Alternatively, you can remove the fill port plug to add water directly to the water reservoir using a garden hose or watering can.



NOTE: The information above is only suggested and Mayne holds no liability for the condition or growth of your plants.