

Modesto 30in Round Planter Model # 8884

MIS085 r3



PACKAGE CONTENTS: 1x Modesto Planter

MATERIAL: Polyethylene

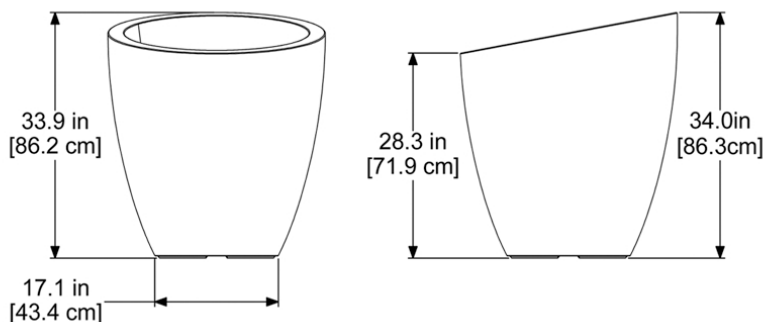
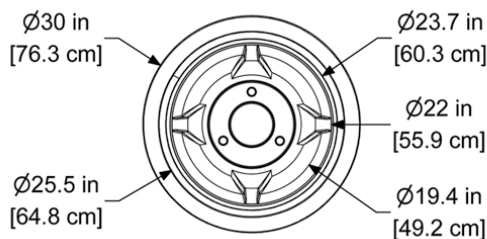
IMPORTANT NOTE:

- Drainage holes are not pre-drilled allowing the planters to be used indoors. For outdoor use drainage holes need to be drilled.
- MAYNE planters are very durable but we still recommend lightweight fillers and potting mixes for optimal plant growth.
- For added stability we recommend filling the bottom of the planter with crushed gravel or pea stone. See reverse for more details.

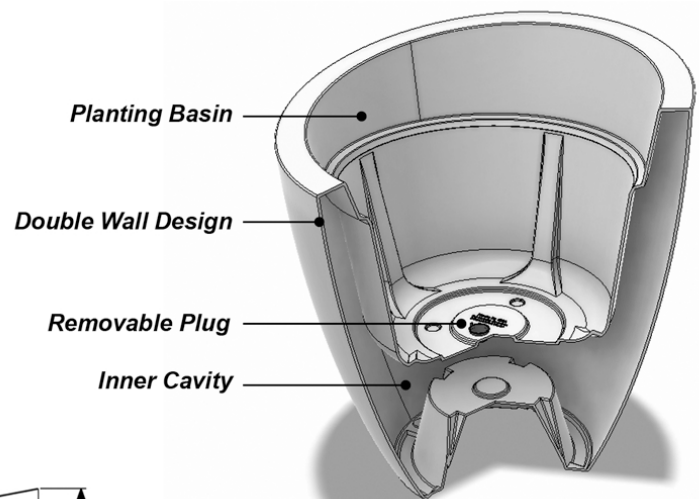
In the event of missing or defective parts, please email customerservice@gomayne.com or call our customer service department toll free at **866-363-8834** (available Monday through Friday, 8am-5pm EST).

General Information:

- Read instructions carefully before planting.
- For best results when cleaning, we recommend using a soap solution and high-pressure water.
- On the reverse side of this instruction sheet there are a few potting recommendations, but please consult your local garden centre or landscape horticulturist for more detailed information.
- All-weather planters molded with high quality polyethylene and designed for year-round use.
- 5-year commercial warranty.



30in Round Model #8884
Soil Capacity: 22 Gallons



Sectional View

MAYNE[®]
Outdoor Products of Distinction
gomayne.com

Planting Instructions

MIS085 r3

Potting Recommendations:

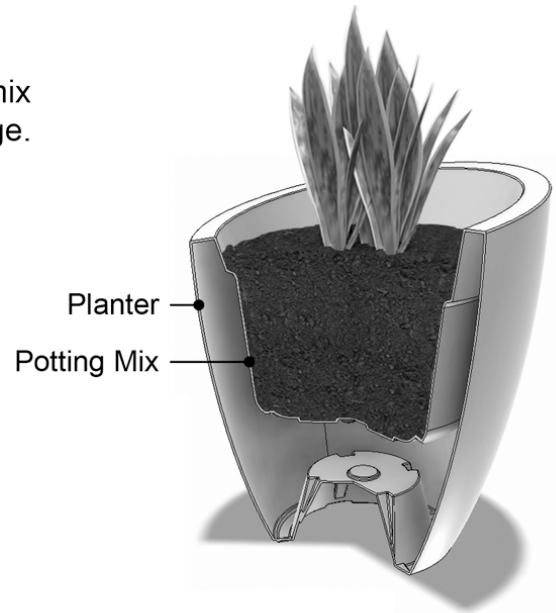
We strongly recommend the use of a good quality potting mix to encourage healthy root development and proper drainage.

Indoor Use:

The Modesto planters do not come with any pre-drilled drainage holes to allow for indoor use.

Outdoor Use:

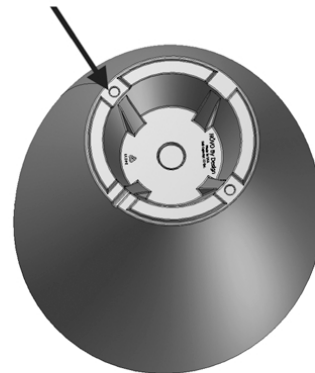
For outdoor use, drainage holes need to be drilled in the bottom of the planting area and the base of the planter to provide proper overflow of excess water (see diagrams below). Failing to drill drainage holes may cause oversaturation of the planted goods and in some cases may cause bowing or bulging of the planter walls.



On the inside of the planter drill three 3/4in drainage holes in the marked locations.



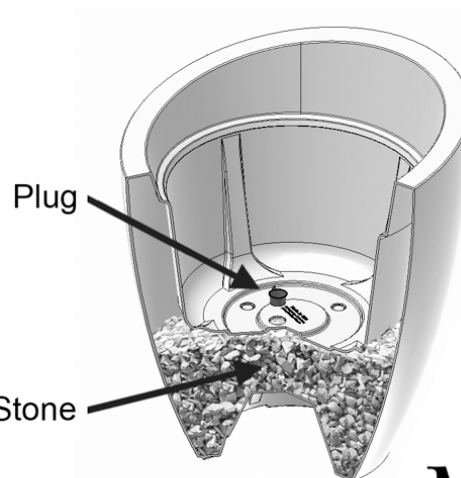
On the bottom footing of the planter drill two 3/4in drainage holes in marked locations



INSTALLATION TIP:

Remove the plug in the bottom of the planting basin and use a funnel to fill the inner cavity with crushed gravel or pea stone. This will add more stability for use in high traffic and high wind areas.

Gravel or Pea Stone



NOTE: The information above is only suggested and MAYNE holds no liability for the condition or growth of your plants.

MAYNE[®]
Outdoor Products of Distinction
gomayne.com