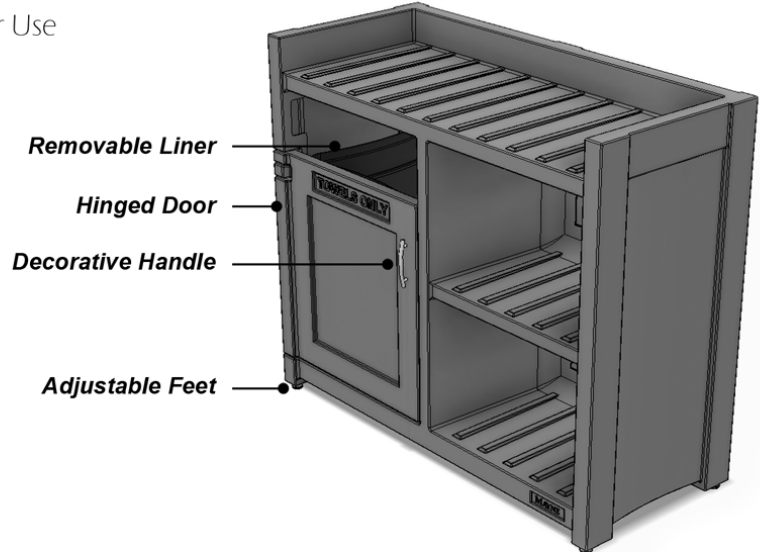


#MIS109

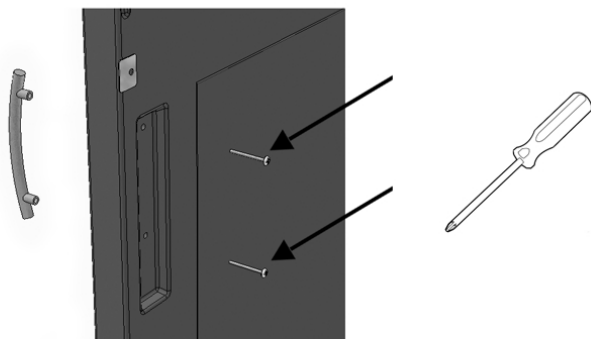
Model #8855

Fairfield
towel valet

Polyresin Base Unit and Liner
UV Protected, All Weather Material
Shock Resistant
Indoor/Outdoor Use

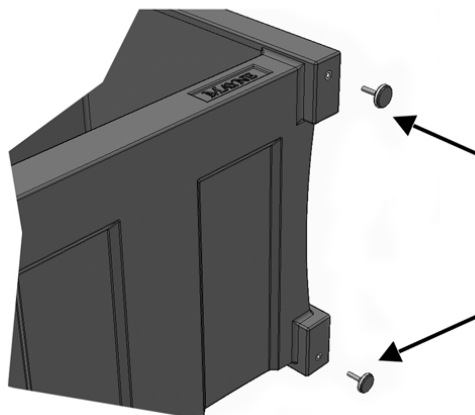


- Package includes base, liner, door, handle, magnetic latch, and adjustable feet.
- Minor assembly required for the door handle and installation of the adjustable feet.
- Plastic bags recommended for use with liner to make towel removal easier (plastic bags and towels not included).
- **15-year Warranty** Residential Use, **5-year Warranty** Commercial Use.



STEP 1

Using a phillips head screwdriver, attach the decorative handle to the door with the 2 screws provided. Do not overtighten screws.



STEP 2

Gently lay the towel valet on the back side to install the 4 adjustable feet. The feet will easily thread by hand into the t-nuts molded on the bottom of each corner post.

MAYNE[®]

Outdoor Products of Distinction
gomayne.com

For customer service inquiries email customerservice@gomayne.com or call toll free at 866-363-8834 (available Monday through Friday, 8am-5pm EST).