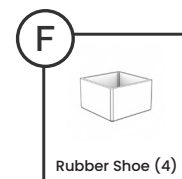
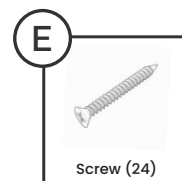
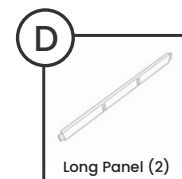
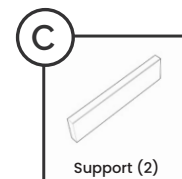
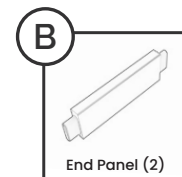
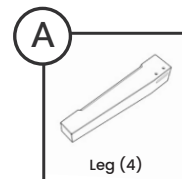
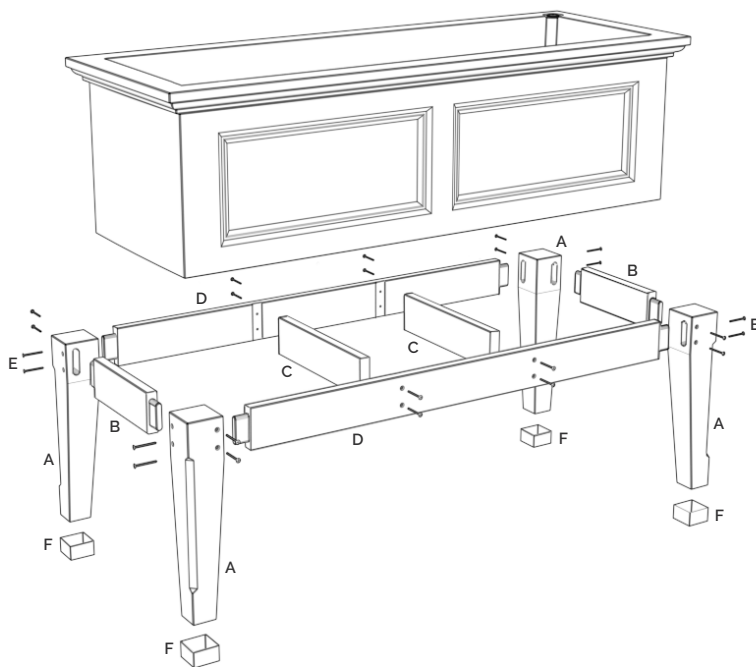


Fairfield

Elevated Garden Bed

PACKAGING CONTENTS:



MAYNE[®]

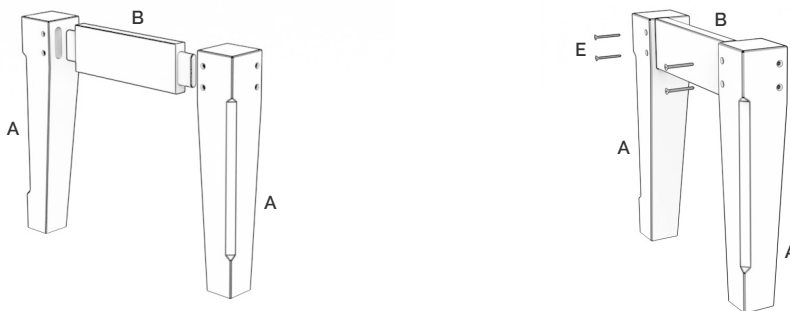
Bring life to your home & garden

For customer service inquiries call toll free at 866-363-8834 or email customerservice@gomayne.com. For more information visit gomayne.com.

Fairfield Elevated Garden Bed

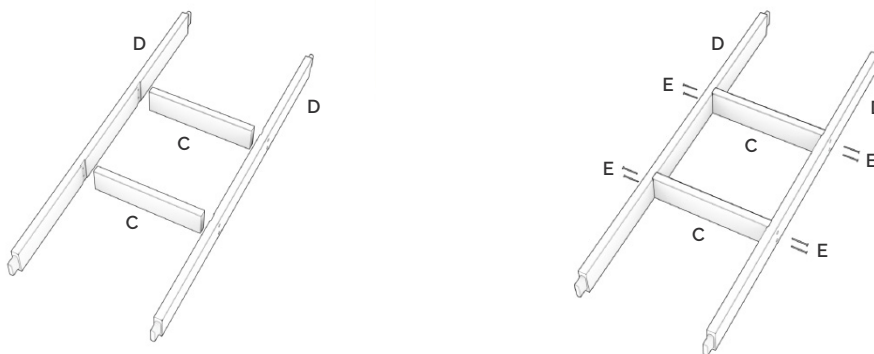
1 Assemble Side Frames

Attach 2x Legs (A) to 1x End Panel (B) with 4x Screws (E). Repeat to assemble the other End Panel. Important: Be careful when assembling the wood stand to not overtighten the screws.



2 Assemble Main Frame

Attach 2x Supports (C) to 2x Long Panels (D) with 8x Screws (E).

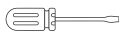


TOOLS REQUIRED:



Cordless Drill

OR



Screwdriver

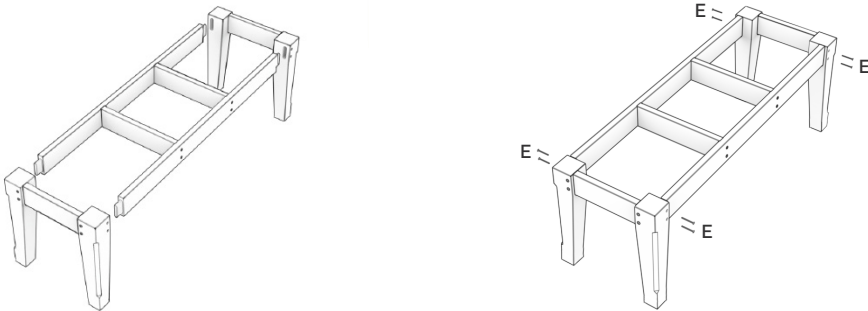
Since cedar is a softer wood, we recommend using a screwdriver when assembling. If using a power drill, be sure to use a low torque setting.

Assembly Guide #MIS136/Model #4890

3 Complete Wooden Base

Attach the side frames to the main frame using 8x Screws (E).

Optional: Place 4x Rubber Feet (F) at the bottom of Legs (A) for extra support.



4 Plant and Enjoy!

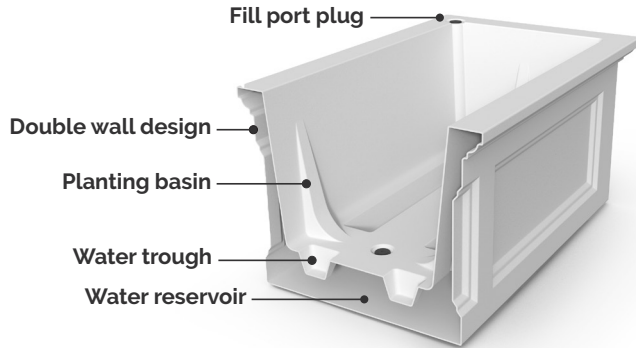
Place the Planter on top of the completed base to finish assembling the Elevated Garden Bed.

Note: Avoid using garden soil or top soil for container planting, a potting mix is strongly recommended and will ensure better plant growth.

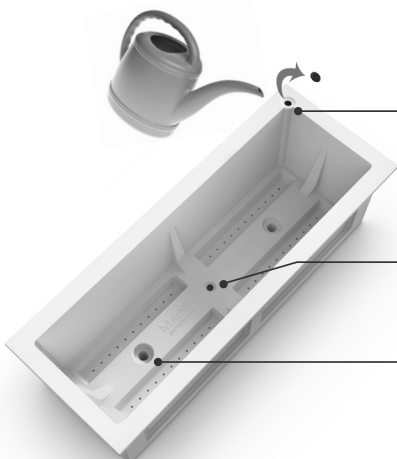


General Planting Recommendations

Polyresin Planter
UV Protected
Shock Resistant
All Weather Material



- This outdoor planter has a built-in water reservoir and pre-drilled overflow hole to ensure your plants have consistent moisture without being oversaturated.
- Rinse clean with a garden hose; for a deeper clean, use a power washer. The cedar base should be re-stained every 3 years, to extend the life of the product.
- Mayne offers a limited 15-year warranty on the planter and a 1-year warranty on all hardware and wooden components.
- Note: Although great care has been taken in selecting the best quality lumber, wood is a product of nature and is susceptible to changes in its aesthetics.



Remove fill port plug for direct access to the water reservoir.

The plastic plug at the bottom of the planter helps seal a vent created during the manufacturing process. No need to remove this plug.

Planter has 2 built-in overflow holes.

