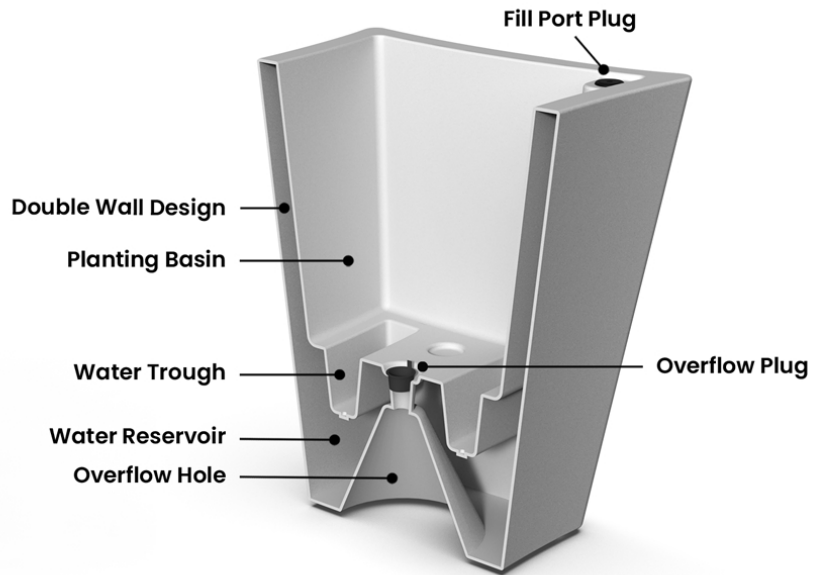


#MIS137

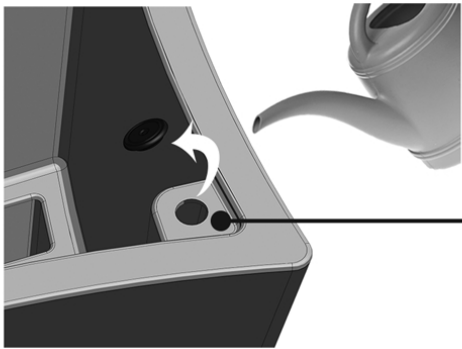
Model #4891

Bristol

designer planter

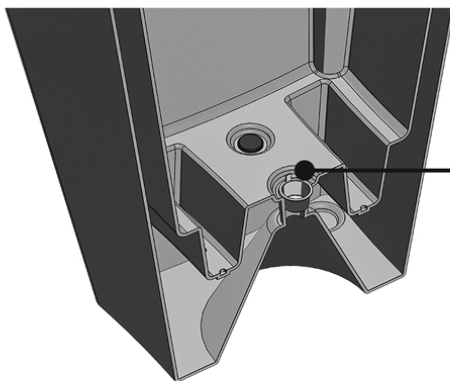


- Planter has built-in water reservoir and overflow drainage hole.
- Avoid using garden soil or top soil for container planting, it's often too dense and restricts air circulation. A potting mix is strongly recommended and will ensure better plant growth.
- Rinse clean with a garden hose; for a deeper clean, use a power washer.
- **15-year** warranty residential use, **5-year** warranty commercial use.



Remove fill port plug for direct access to the water reservoir.

Polyresin Planter
Indoor/Outdoor Use
UV Protected
Shock Resistant
All Weather Material



For indoor use, press the red plug down firmly into the overflow drainage hole to seal the planter before use.

For outdoor use, remove the red plug to allow proper overflow of excess water.



MAYNE[®]
Bring life to your home & garden

For customer service inquiries email customerservice@gomayne.com or call toll free at 866-363-8834. For more information visit gomayne.com.