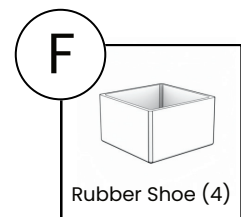
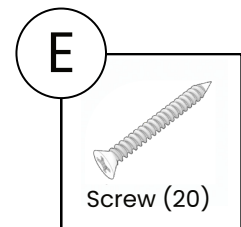
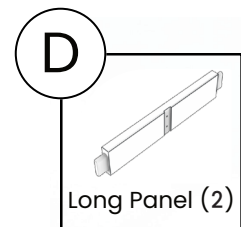
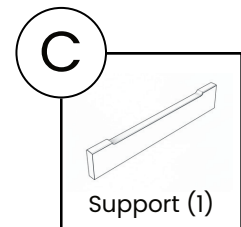
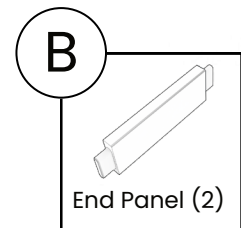
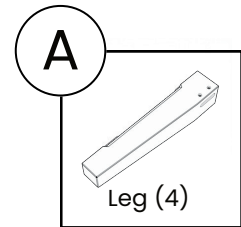
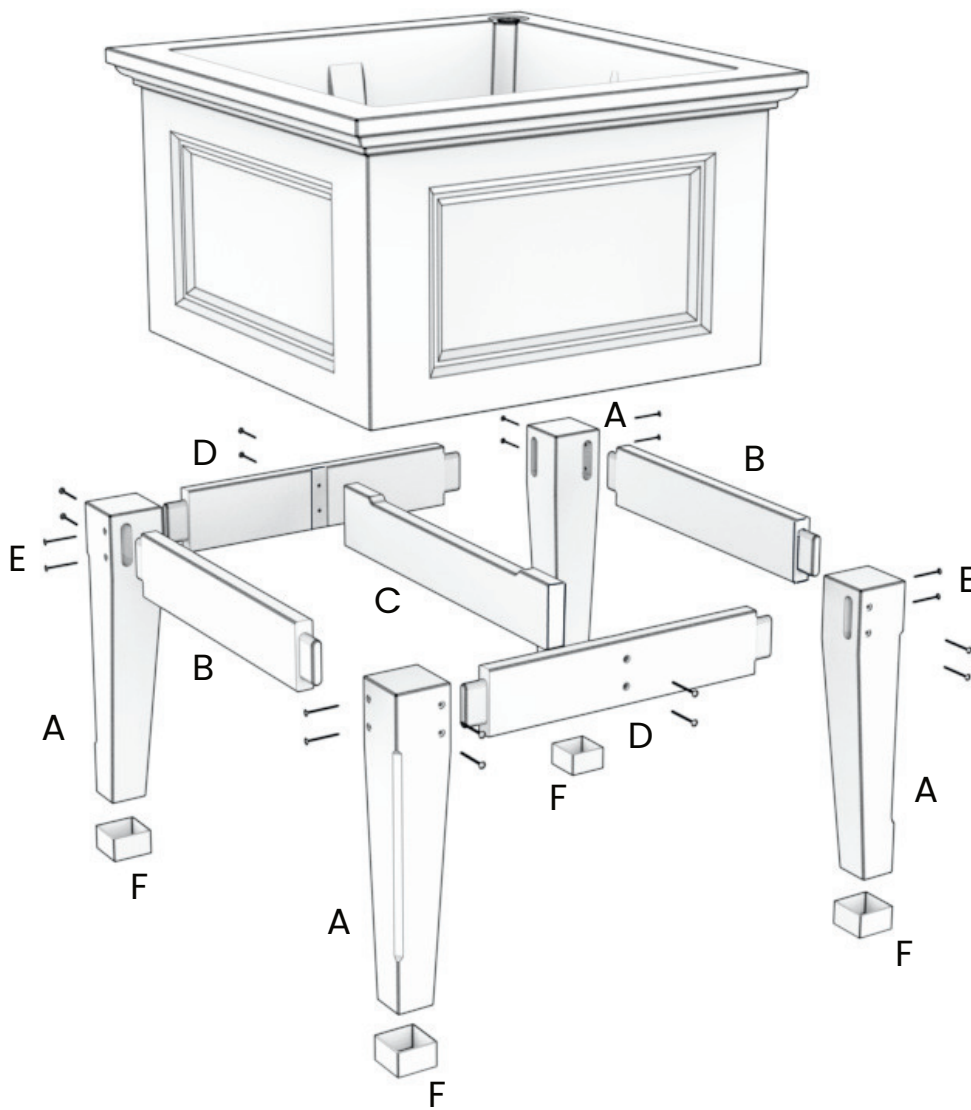


Fairfield

Elevated Garden Bed

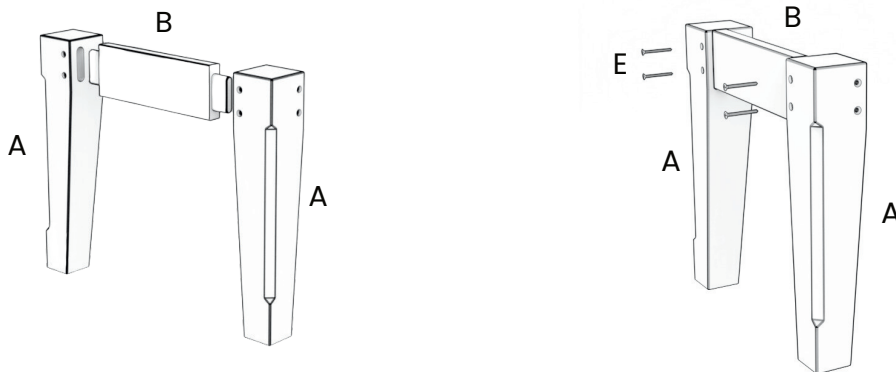
PACKAGING CONTENTS:



Fairfield Elevated Garden Bed

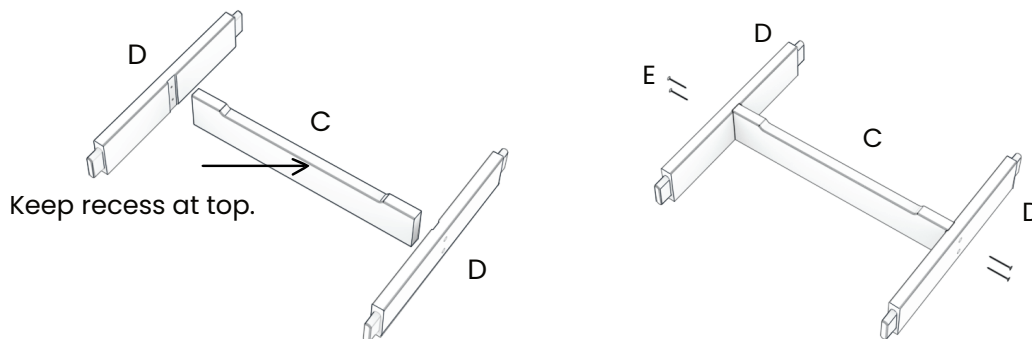
1 Assemble Side Frames

Attach 2x Legs (A) to 1x End Panel (B) with 4x Screws (E). Repeat to assemble the other End Panel. Important: Be careful when assembling the wood stand to not overtighten the screws.



2 Assemble Main Frame

Attach Support (C) to 2x Long Panels (D) with 4x Screws (E).

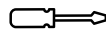


TOOLS REQUIRED:



Cordless Drill

OR



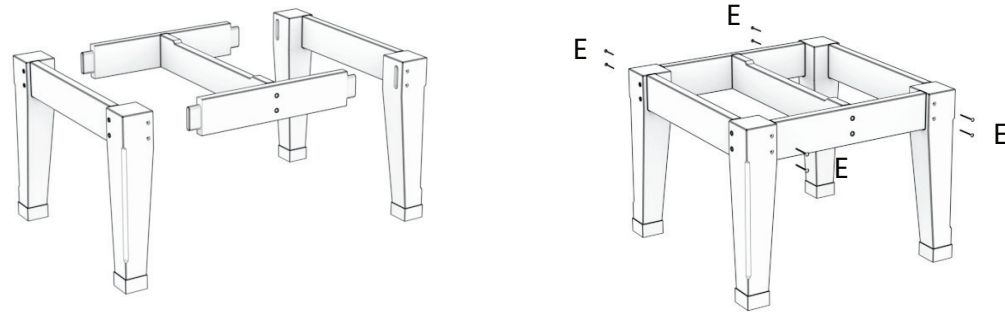
Screwdriver

Since cedar is a softer wood, we recommend using a screwdriver when assembling. If using a power drill, be sure to use a low torque setting.

3 Complete Wooden Base

Attach the side frames to the main frame using 8x Screws (E).

Optional: Place 4x Rubber Feet (F) at the bottom of Legs (A) for added moisture protection.



4 Plant and Enjoy!

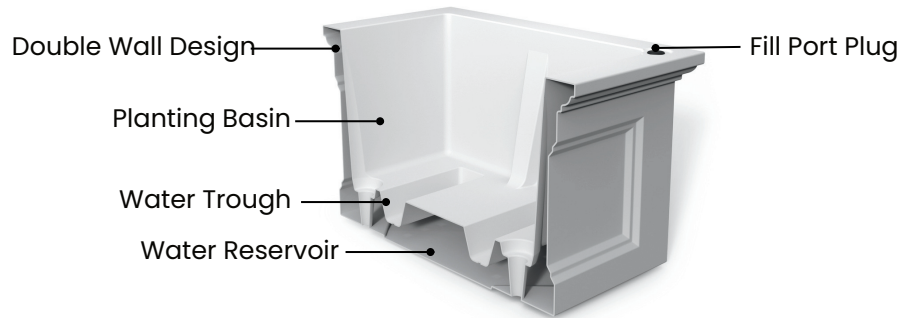
Place the Planter on top of the completed base to finish assembling the Elevated Garden Bed.

Note: Avoid using garden soil or top soil for container planting, a potting mix is strongly recommended and will ensure better plant growth.



General Planting Recommendations

Polyresin Planter
UV Protected
Shock Resistant
All Weather Material



- This outdoor planter has a built-in water reservoir and a pre-formed overflow hole to ensure your plants have consistent moisture without being oversaturated.
- Rinse clean with a garden hose; for a deeper clean, use a power washer. The cedar base should be re-stained every 3 years, to extend the life of the product.
- Mayne offers a limited 15-year warranty on the planter and a 5-year warranty on wooden components.
- Note: Although great care has been taken in selecting the best quality lumber, wood is a product of nature and may be susceptible to surface "checking" or splitting as well as changes in aesthetics. This will not affect the stability of the product.

