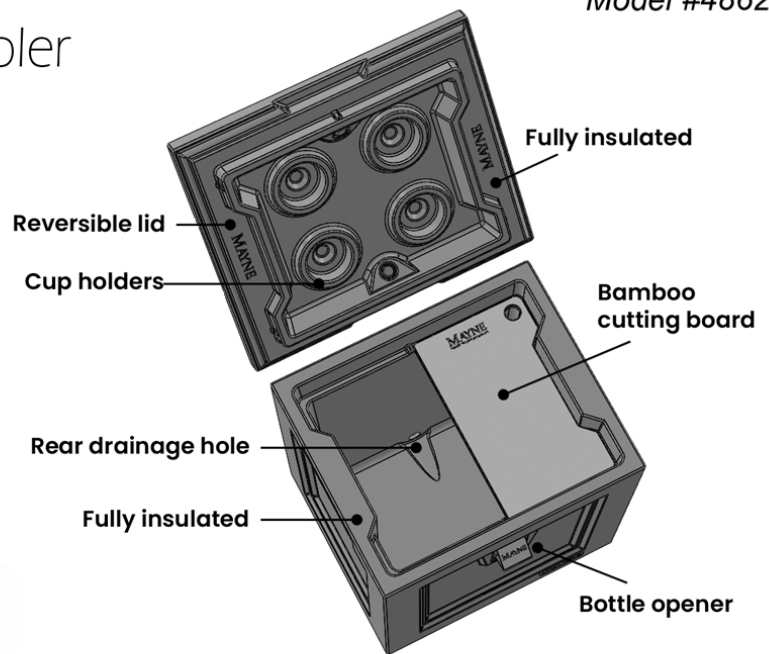


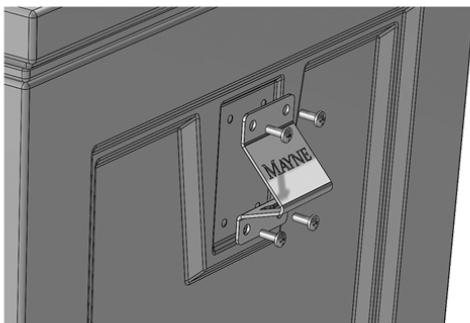
#MIS120 r2

Model #4862

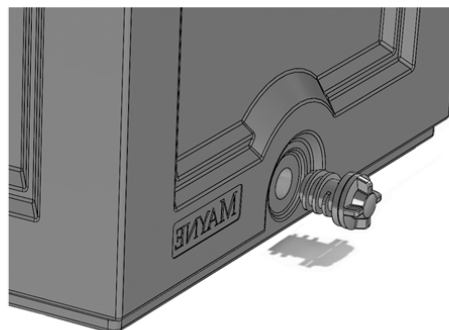
# Fairfield patio cooler



- Designer patio cooler with insulated walls and lid for longer lasting ice retention.
- Rinse clean with a garden hose; for a deeper clean, use a power washer.
- **1-year** warranty on hardware (limited warranty on the bamboo cutting board).
- **5-year** warranty residential use, **5-year** warranty commercial use.



Attach the stainless steel bottle opener with the 4 screws provided. Hand tighten with a screw driver, do not use a power drill.



When not in use, partially unscrew the drain plug to let out excess water.



## Bamboo Cutting Board Care Instructions:

We recommend applying a protective coat of mineral oil before use to prevent cracking and repel moisture. After each use, wash the board with hot water and soap. Dry thoroughly and store in an upright position. To keep your board looking it's best, we recommend a mineral oil treatment every 1 to 2 months. You can also apply a treatment if the board starts to fade or when water no longer beads on the surface.

**MAYNE**<sup>®</sup>  
Outdoor Products of Distinction  
[gomayne.com](http://gomayne.com)

For customer service inquiries email [customerservice@gomayne.com](mailto:customerservice@gomayne.com) or call toll free at 866-363-8834 (available Monday through Friday, 8am-5pm EST).