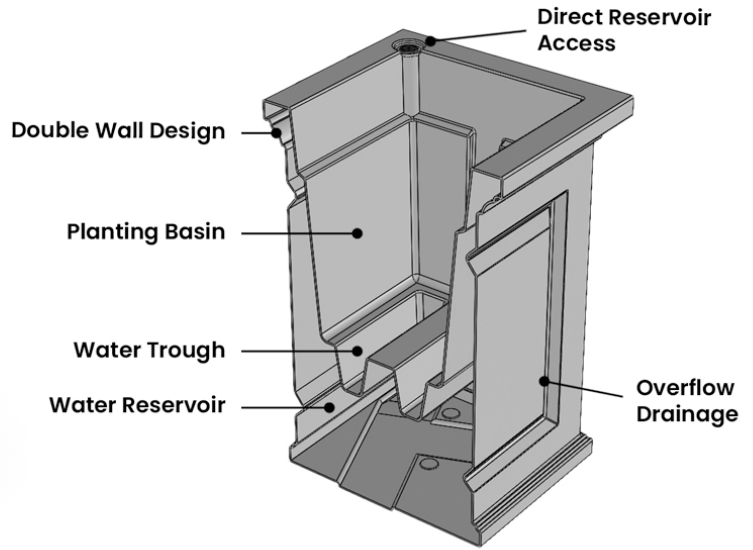


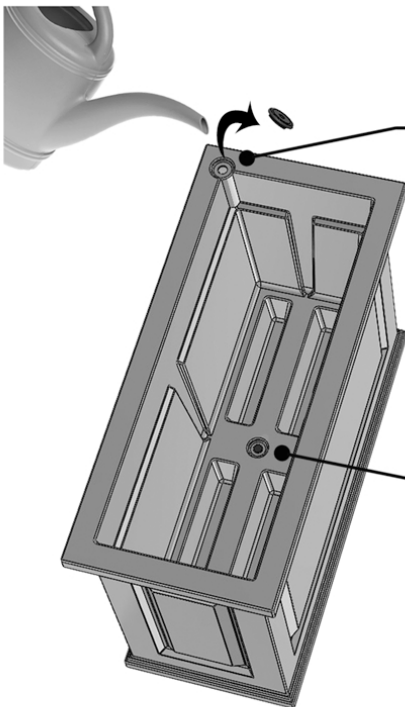
Nantucket

designer planter



GENERAL INFORMATION:

- Built-in water reservoir and overflow drainage hole.
- Avoid using garden soil or topsoil for container planting, it's often too dense and restricts air circulation. A potting mix is strongly recommended and will ensure better plant growth.
- Rinse clean with a garden hose; for a deeper clean, use a power washer.
- **15-year** warranty residential use, **5-year** warranty commercial use.



Remove fill port plug for direct access to the water reservoir.

The plastic plug is placed in the bottom of the planter to seal a vent hole from the manufacturing process. There is no need to remove this plug.

Polyresin Planter
Indoor/Outdoor Use
UV Protected
Shock Resistant
All-Weather Material

