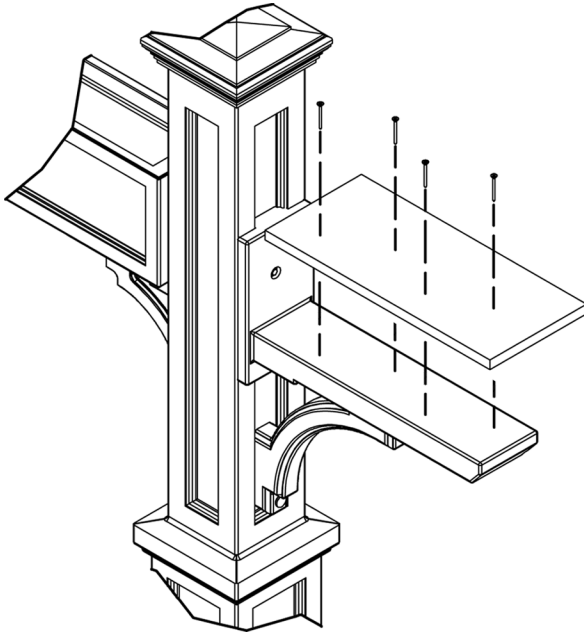


# Mailbox Installation Instructions

## Newport Plus / Westbrook Plus

For the Newport Plus & Westbrook Plus mailbox arm a small or medium sized mailbox is recommended (approx. 6 1/2" width x 9" height x 19" length, and around 4 to 8 lbs). Mailboxes and mounting hardware not included with any Mayne mail posts.



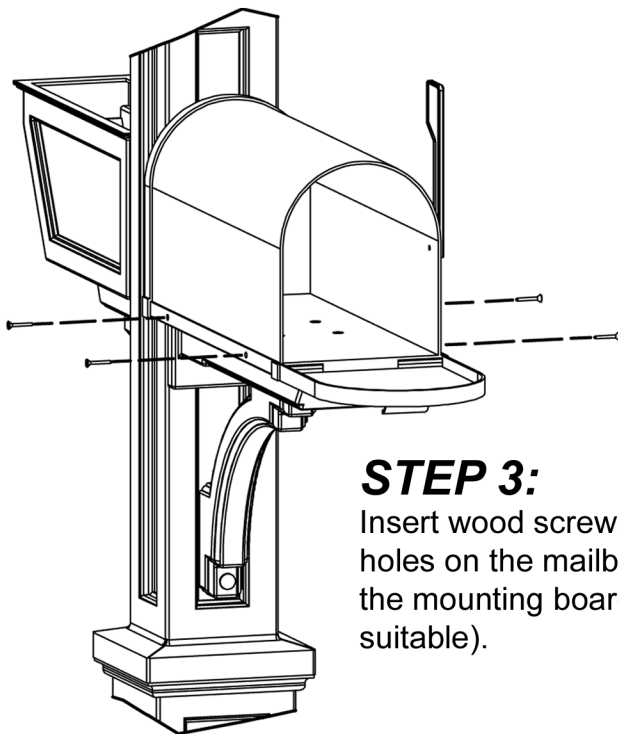
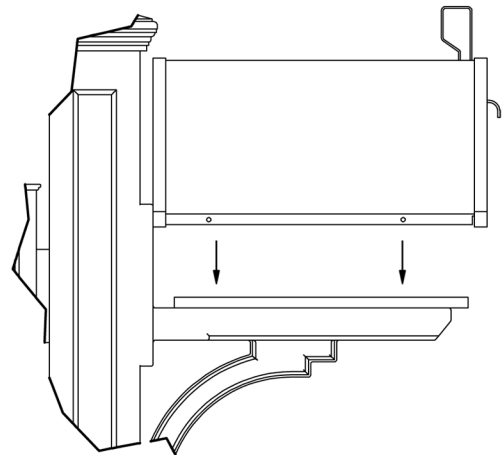
### STEP 1:

Mailboxes can be attached to our standard mailbox arm using mounting boards (as shown) or mounting brackets. Mounting boards can be made from pressure treated plywood or similar material. Mounting supplies and hardware can be purchased at your local hardware store.

Note: The mailbox arm contains a wood core to ensure a strong connection with the mounting board or bracket assembly.

### STEP 2:

Set the mailbox on the arm.



### STEP 3:

Insert wood screws through the side mount holes on the mailbox to secure it firmly on the mounting board (1" wood screws are suitable).

Questions or concerns?

Please email [info@mayneposts.com](mailto:info@mayneposts.com) or call toll free 1-866-363-8834.

**MAYNE**<sup>®</sup>  
Mail Posts of Distinction