

Caprio

Model # 5906

Caprio 26in Tall Planter



DESCRIPTION

Tall, round, and sleek - the Caprio Planter is a beautiful example of modern style. Transform your space with this minimalist bold planter.

- Double wall design with water reservoir feature
- Manually fill up the self-watering reservoir directly
- Weather resistant, low maintenance material
- 100% high-grade polyethylene planter with UV inhibitors
- Warranty: 15-Yr Residential Use / 5-Yr Commercial Use

PRODUCT DIMENSIONS

Outside Dimensions: 16in DIA x 26in H (40.6cm x 66.0cm)

Inside Dimensions: 13in DIA x 12in D (33.0cm x 30.5cm)

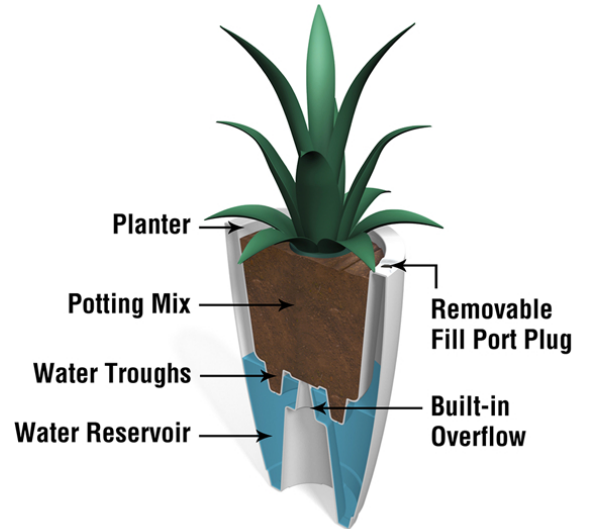
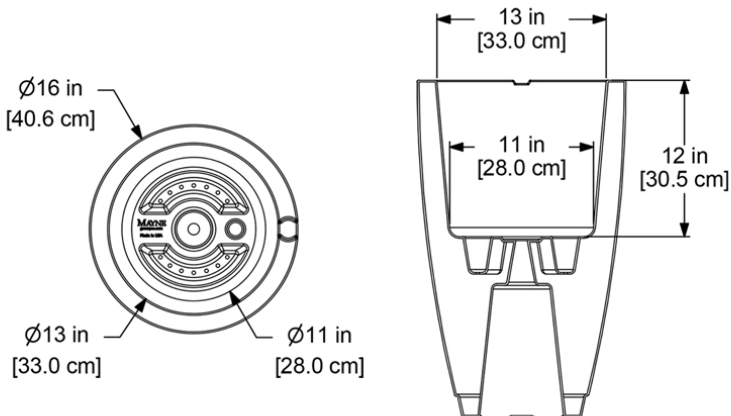
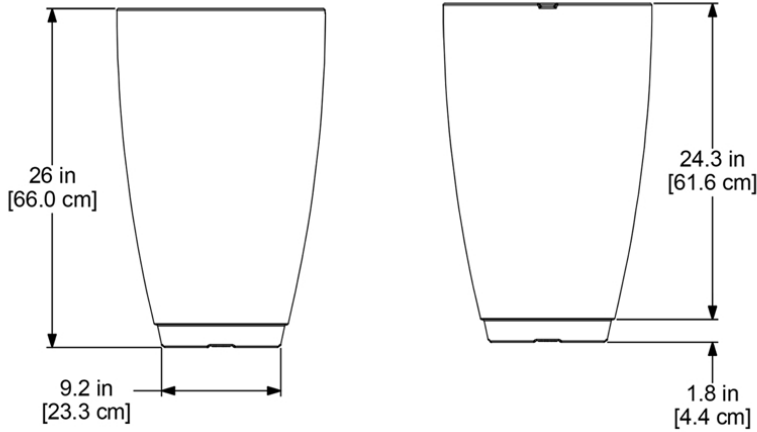
Soil Capacity: 5.8 Gallons (22 Liters)

Water Reservoir Capacity: 4.9 Gallons (18.5 Liters)

Wall Thickness: 0.135in (3.4mm)

Part Weight: 9.4lbs (4.3kg)

Material: Polyethylene



MAYNE[®]
Outdoor Products of Distinction

7024 Kilbourne Rd - Unit A London, ON N6P 1K6

Tel: 866-363-8834 | www.gomayne.com

customerservice@gomayne.com